

OREGON CCNER RESTORATION FORM

Section 35 Township 5N Range 30E  
 County Umatilla Date: 09-18-2006

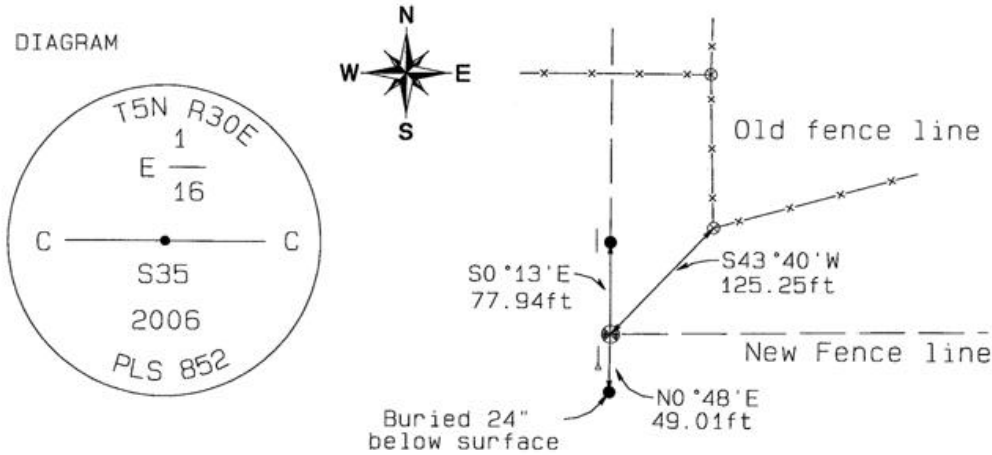
Corner Designation: 5N30E X20

Condition Report Only  
 Not Found  
 Remonumented  
 Unrecorded  
 Surveyed In  
 Referenced Out

Previous Renewals / Surveys, etc.  
 No surveys found.

Monument and Accessories Found: ( condition and source )  
 Monument had not been set.

DIAGRAM



- | 5' Steel T-post with a Umatilla County Survey Sign.
- 5/8" dia. x 30" long Iron Rebar with a 1.3" dia. Red plastic cap.
- | 5' steel T-post
- ⊗ Set 2" dia. Aluminum cap on a 5/8" x 30" long Iron Rebar.
- ⊗ Wood fence post

MONUMENT (S) AND ACCESSORIES SET (Procedures and Description)

Set a 2" dia. Aluminum Cap (stamped as shown) on a 5/8" dia. x 30" long Iron Rebar 2" above the ground surface in a plowed field.  
 Set a 5' steel T-Post with a Umatilla County Survey Marker sign facing North 6 inches South of the corner.

REFERENCES SET:

Set two (5/8" dia x 30" long Iron rebar with a 1.3" dia. Red plastic cap) to the bearings and distances from monument shown above in the sketch.

Made GPS tie to TRI Stations LAURILA RESET RB 1379 and WALLS RB 1396	Oregon State Plane Coord. - North Zone
Latitude 45°52'16.06624"N	Northing 817144.26
Longitude 119°01'16.16089"W	Easting 8578781.52
NAD 83(1991)	Ortho Height 979.98
	Ellipsoidal Height 910.77

Location and Comments

Compass Declination  
 18°E

Surveyors Seal

Beginning 1.5 miles West of HWY 37 and the S. Fork Cold Spring Road. South on Umatilla County Road 1172 (KOSMOS RD) 0.59 miles to a East field access gate. Thence East 0.83 miles to a North - South fence line. Thence South 0.50 miles to 1/16th corner.

REGISTERED PROFESSIONAL LAND SURVEYOR

RECEIVED BY:

Firm / Agency

David L. Haddock

Date 02-07  
 Rec'd By: *[Signature]*  
 No.: 07-208-R

Haddock Surveying  
 P. O. Box 1574  
 Pendleton, OR 97801  
 (541) 276-2174

OREGON  
 JULY 12, 1968  
 DAVID L. HADDOCK  
 852

RENEWS 6-30-07