

OREGON CORNER STORAGE FORM

Section 1

Township 3N

Range 29E

County Umatilla

Date: 12/31/08

Corner Designation: 3N29A23

Section corner common to sections 36, T4NR29E, 1, T3NR29E.

- Condition Report Only
- Not Found
- Remonumented
- Unrecorded
- Surveyed In
- Referenced Out

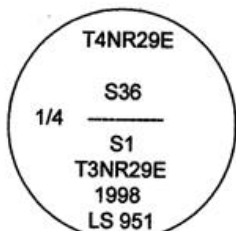
Previous Renewals / Surveys, etc.

Originally Surveyed by Gates in 1859. He set a post in a mound of earth.
In 1998 Edwards set a 1"x30" Iron pipe with a 2 3/8" B.C. by single proportion.
In 2002 Haddock found a 2 1/2" B.C.

Monuments and Accessories Found: (Condition and Source)

- A 2 3/8" B.C.
- A B.O. steel fence post lies N 87°00' W, 72.48'.
- A B.O. steel fence post lies N 78°00' W, 39.82'.
- A 5/8" Iron rebar w/ypc #951 lies N 00°00' E, 16.48'.
- A 5/8" Iron rebar 2/ypc #951 lies S 00°00' E, 17.90'.
- An aluminum tag #951 and nail on a power pole lies N 86°00' W, 285.20'.
- An aluminum tag #951 and nail on a power pole lies N 85°00' E, 262.40'.

Diagram



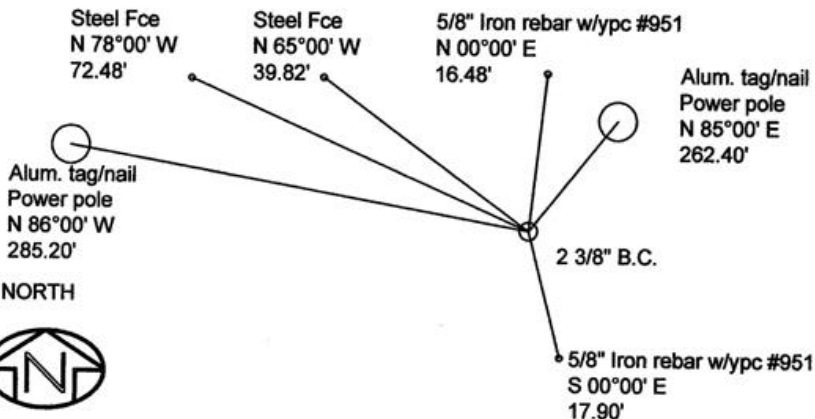
NAD 83/91
OREGON STATE PLANE NORTH
INTERNATIONAL FEET

N 772479.434
E 8550991.920



LAT - 45° 46' 38.58080" N LON - 119° 07' 57.11370" W

Sketch



Monument (s) Set (Procedures and Description)

None.

References Set:

Location and Comments

The corner lies approx. 3.0 miles east from the intersection of S. Ash Rd. and Stage Gulch Rd. in Stanfield.

Compass Declination
17° E

Surveyors Seal

REGISTERED
PROFESSIONAL
LAND SURVEYOR

Robert D. English
OREGON
JANUARY 11, 2005
ROBERT DOUGLAS ENGLISH
43406LS

RENEWAL DATE: 12/31/09

RECEIVED BY:

Date: 1-09
Rec'd By: KK
No. 09-21-R

Firm / Agency

Survey One, LLC.
P.O. Box 382
Pendleton, OR 97801
(541) 276-2055