

OREGON CORNER RESTORATION FORM

Section 10 Township 1N Range 32E
 County Umatilla Date: 06-22-2005

Corner Designation: 1N32EE15

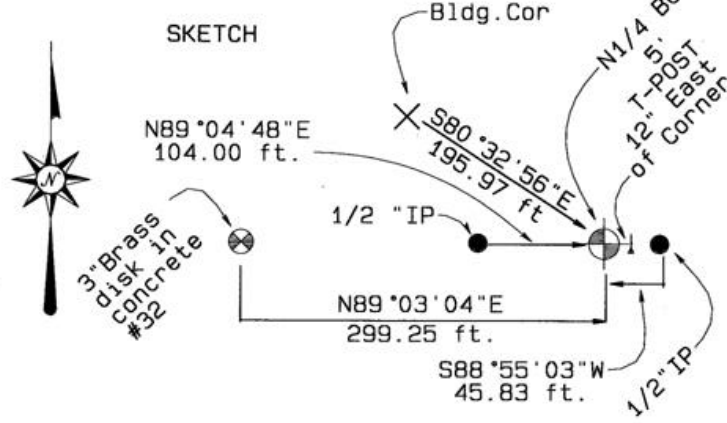
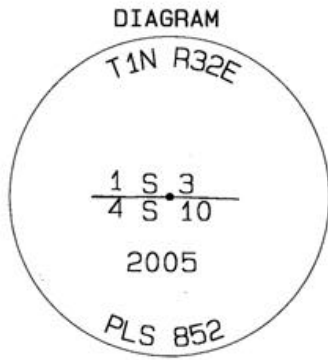
_____	Condition Report Only
_____	Not Found
_____x_____	Remonumented
_____	Unrecorded
_____x_____	Surveyed In
_____x_____	Referenced Out

Previous Renewals / Surveys, etc.

First surveyed in 01-11-1865 by D. Chaplin. Set post and pits.
 Resurveyed in 06-21-1872 by Z. Moody. Set post and pits.
 Resurveyed in 07-20-1887 by J. Currin ET AL. Set post and pits.
 Survey referenced location as a start point in 10-29-1913 by John Kimbrell.
 Section line resurveyed by Department of Agriculture in 1938 monumenting line between sections 3 and 10.

Monument and Accessories Found: (condition and source)

Located two 3" Brass disks set in 3" dia. x 24" long solid concrete set by the 1938 Dept of Agriculture Biological Survey #32 and #33 monuments referencing the North Sect line and the Umatilla Indian Reservation boundary monument. The West monument #32 was leaning East, straightened upright and monument protrudes 3" above the surface of the ground. East monument flush with the surface of the ground located at the Southern base of the 4" dia steel fence corner post.



Monument and Accessories SET: (Procedure and Description)

Set a 2-3/8" dia. Brass Cap on a 1" ID x 30" Galvanized pipe flush with the ground surface, and under the current fence line. Located on line between two 3" Brass disk 1938 U.S. Dept. of Ag. Biological Survey Monuments, and from a record distance to the Umatilla Indian Reservation boundary. Set a 5 ft steel T-post with a Umatilla County Survey sign attached facing West. Post is 12 inches East of the monument on the fence line. Set one Bearing Object sign approximately 100 feet West of the Monument on the fence line near a 1/2" steel pin (a reference monument).

REFERENCES SET

GPS ties to 2 Rancho Vista Subdivision 1/2 inch pins (property corners on the North Subdivision line) which is also the North Section 10 line.
 GPS tie to the South East corner of the Maintenance building on U.S. F. & W. property. Also a tie to the U.S. Dept of Agriculture's 3" dia. Brass disk monument #32.

Single point GPS tie.
 Latitude 45°35'14.9"N
 Longitude 118°47'49.5"W
 NAD 83(1991)

Oregon State Plane Coord. - North Zone
 Northing 704872.01'
 Easting 8638028.33'
 Ellipsoidal Height 1371.42'

LOCATION AND COMMENTS:

Beginning at the NW corner of the Rancho Vista Subdivision on "Old Hwy 395", go East from the 3" dia. Brass disk/concrete monument #32 U.S. Dept of Agric. Biological Survey, 299.24 feet to the 2-3/8" dia. Brass Cap N1/4 Section 10 monument.

Surveyors Seal

REGISTERED
PROFESSIONAL
LAND SURVEYOR

David L. Haddock

OREGON
JULY 12, 1968
DAVID L. HADDOCK
852

RENEWS 6-30-07

RECEIVED BY:

Firm / Agency

Date: 7-05
 Rec'd By: KK
 No. 05-100-B

Haddock Surveying
 P. O. Box 1574
 Pendleton, OR 97801
 (541) 276-2174