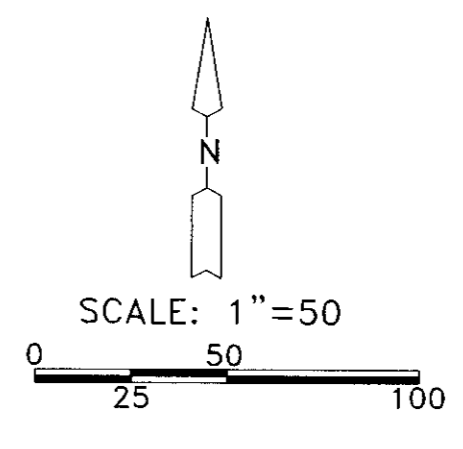


- LEGEND:
- MONUMENTS FOUND AS NOTED
 - SET 5/8"x30" IRON REBAR WITH PLASTIC CAP #951
 - COMPUTED POINT
 - (000) OF RECORD,
 - (A) MY 1977 SURVEY FOR KOTRENOS
 - (B) PLAT OF "HARTLEY ADDITION"
 - (C) WHITE SURVEY FOR WILCOX
 - (D) WAYNE HARRIS 1968 SURVEY FOR ?
 - (E) MY 1991 SURVEY FOR EVAN DAVIS
 - (F) MY 1976 SURVEY FOR BRYANT
 - [000] OF RECORD, DEED



**BLOCK E
 HARTLEY ADDITION**

LINE TABLE

#	BEARING & DISTANCE
L1	N 82°16'30" E 39.63' (N 82°16'30" E 39.63') (B)
L2	N 71°01'19" E 30.43' (N 71°19'30" E 30.45') (B)
L3	S 66°00'30" E 12.12'
L4	N 23°45'12" W 8.47'

NARRATIVE:

THE PURPOSE OF THIS SURVEY IS TO STAKE THAT TRACT OF LAND DEEDED TO WARES AUTO BODY IN REEL 331, PAGE 142, UMATILLA COUNTY DEED RECORDS SO A FENCE CAN BE BUILT.

THE SOUTH LINE OF SAID TRACT IS THE CENTER LINE OF A CONCRETE CANAL WHICH HAS BEEN ABANDONED. A CONCRETE PIPE IS STILL EXPOSED JUST EAST OF THE SOUTHEAST CORNER OF THIS TRACT. THE REMAINDER OF THE SOUTH LINE WAS ESTABLISHED FROM A COMBINATION OF THE PLAT OF "HARTLEY ADDITION" AND MY 1976 SURVEY FOR BRYANT FOR THE PROPERTY TO THE SOUTH. WHEN I SURVEYED BRYANT'S PROPERTY THE CANAL WAS EXPOSED. THE IRON REBAR WHICH WE SET ON THE SOUTH LINE WERE DRIVEN THROUGH THE CONCRETE OF THE CANAL.

THE WEST LINE OF THIS PROPERTY WAS SET FROM THE PLAT OF "HARTLEY ADDITION".

THE EAST LINE WAS SET USING FOUR MONUMENTS AS SHOWN.

REGISTERED
 PROFESSIONAL
 LAND SURVEYOR

C. Dennis Edwards

OREGON
 JULY 16, 1971
 C. DENNIS EDWARDS
 9 5
 RENEWS 12/31/2003

SURVEY FOR WARE
 IN SW 1/4, NE 1/4, SEC. 10, T 4 N, R 28 E, W.M.
 CITY OF HERMISTON, UMATILLA COUNTY, OREGON
 3/26/2002 JOB# S0203080
 EDWARDS SURVEYING P.O. BOX 763
 541-567-3336 HERMISTON, OREGON 97838
 DRAWN BY NJF