

RECORD SURVEY

LOCATED IN A PORTION OF THE NW 1/4 OF THE SE 1/4 OF SECTION 10, TOWNSHIP 4 NORTH, RANGE 28 EAST, WILLAMETTE MERIDIAN, UMATILLA COUNTY, OREGON

RECORD LEGAL DESCRIPTION:

(SEE WARRANTY DEED - STATUTORY FORM, RECORDED UNDER INSTRUMENT NO. 2020-7090422)

LOTS 4 AND 5, BLOCK "E", SECOND ADDITION TO THE TOWN, NOW CITY OF HERMISTON, UMATILLA COUNTY, OREGON.

SURVEYOR'S NOTES:

- BASIS OF BEARING IS GRID, OREGON STATE PLANE (NAD_83 2011), NORTH ZONE, BASED ON GPS OBSERVATIONS. DISTANCES ARE GROUND SCALED FROM GRID USING A COMBINED FACTOR OF 1.000055213 COMPUTED FROM LATITUDE: 45°50'29.6"N LONGITUDE: 119°17'51.9"W
- = DENOTES FOUND MONUMENT AS NOTED
- = DENOTES SET 5/8"x30" REBAR WITH ORANGE PLASTIC CAP STAMPED "LOCKE LS 94657"
- (M) = MEASURED (C) = COMPUTED
(R1) = RECORD PER SURVEY (07-082-B)
(R2) = RECORD PER SURVEY SECOND ADDITION TO HERMISTON
- THIS SURVEY DOES NOT PURPORT TO SHOW ALL EASEMENTS IF ANY OTHERS EXIST
- EQUIPMENT AND PROCEDURES USED: DUAL FREQUENCY GNSS RECEIVERS USING REAL TIME KINEMATIC METHODS

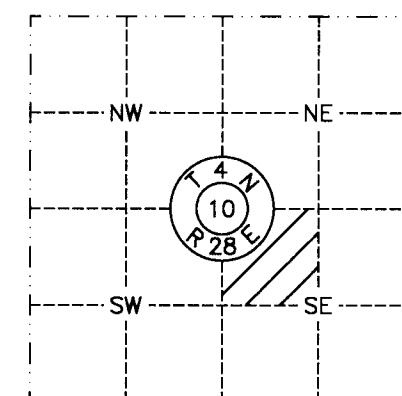
SURVEY NARRATIVE:

THE PURPOSE OF THIS SURVEY IS TO ESTABLISH THE BOUNDARY OF THE SUBJECT PROPERTY. THE BOUNDARY WAS ESTABLISHED BY HOLDING FOUND CENTERLINE STREET MONUMENTS AND PROPORTIONATE RECORD DIMENSIONS PER SURVEY 07-082-B AND THE SECOND ADDITION TO HERMISTON.

RECEIVED BY

Umatilla County Surveyor
Date: 7/7/23
Rec'd By: CT
No.: 23-060-B

SECTION INDEX



REGISTERED PROFESSIONAL LAND SURVEYOR

Mosier P. Locke

OREGON
JANUARY 10, 2023
MOSIER P. LOCKE
94657PLS
RENEWS: 12/31/2024

07-05-2023
DATE

REV: NONE

RSI ROGERS SURVEYING INC., P.S.
1455 COLUMBIA PARK TRAIL
RICHLAND, WA. 99352
PHONE (509) 783-4141
FAX: (509) 783-8994
www.rogerssurveying.com

CLIENT	MOISES LOPEZ		JOB	15423
PROJECT	RECORD OF SURVEY PTN OF SE1/4 SEC 10 T4N, R28E, WM			
DRN. BY	MPL	SCALE	1" = 30'	ACAD VER - C3D21
APPROVED	MPL	DATE	5/22/2023	F.B. NO - BK 888 FILE: 15423.DWG
				SHEET 1 OF 1

