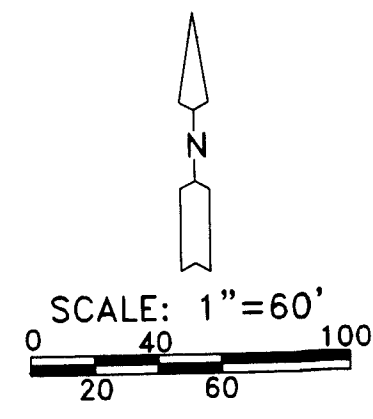


NARRATIVE:

THE PURPOSE OF THIS SURVEY IS TO DO A BOUNDARY LINE ADJUSTMENT BETWEEN TWO TAX LOTS OWNED BY RUSSELL DORRAN TO GIVE ACCESS TO TAX LOT 600 WHICH IS DESCRIBED IN A DEED TO RUSSELL AND DELIA DORRAN ON REEL 374, PAGE 639, UMATILLA COUNTY DEED RECORDS. THERE IS SOME AMBIGUITY IN THE DESCRIPTIONS OF THE TWO TAX LOTS OWNED BY DORRAN AND THE TWO TAX LOTS OWNED BY JAMES AND DOLORIS HILL. I GAVE DORRAN AND HILL A PROPORTIONAL AMOUNT OF THE EXCESS MEASUREMENT OF THE NORTH-SOUTH DISTANCES CALLED FOR IN THEIR DEEDS. THE BEARINGS ARE TRUE BASED ON OREGON NORTH NAD 83/91 STATE PLANE COORDINATES OF THE MONUMENTS ON HIGHLAND AVENUE. THETA IS 0° 51' 02" AND THE COMBINED SCALE FACTOR IS .9999414.

REGISTERED
PROFESSIONAL
LAND SURVEYOR
G. Dennis Edwards
OREGON
JULY 16, 1971
G. DENNIS EDWARDS
9 5 1
RENEWS 12/31/2005



LEGEND:

- MONUMENTS FOUND AS NOTED
- SET 5/8"X30" IRON REBAR WITH PLASTIC CAP #951
- (000) OF RECORD, SURVEYS
- [000] OF RECORD, DEED
- ▨ ACCESS & UTILITY EASEMENT

RECEIVED BY
Umatilla County Surveyor
Date: 3/17/2015
Rec'd By: Ray Tolson
No.: 15-0191-B

SURVEY FOR RUS DORRAN
IN NE 1/4, NW 1/4, SEC. 15, T 4 N, R 28 E, W.M.,
UMATILLA COUNTY, OREGON
5/19/04 JOB# S0403054A
EDWARDS SURVEYING P.O. BOX 763
541-567-3336 HERMISTON, OREGON 97838
DRAWN BY NJF