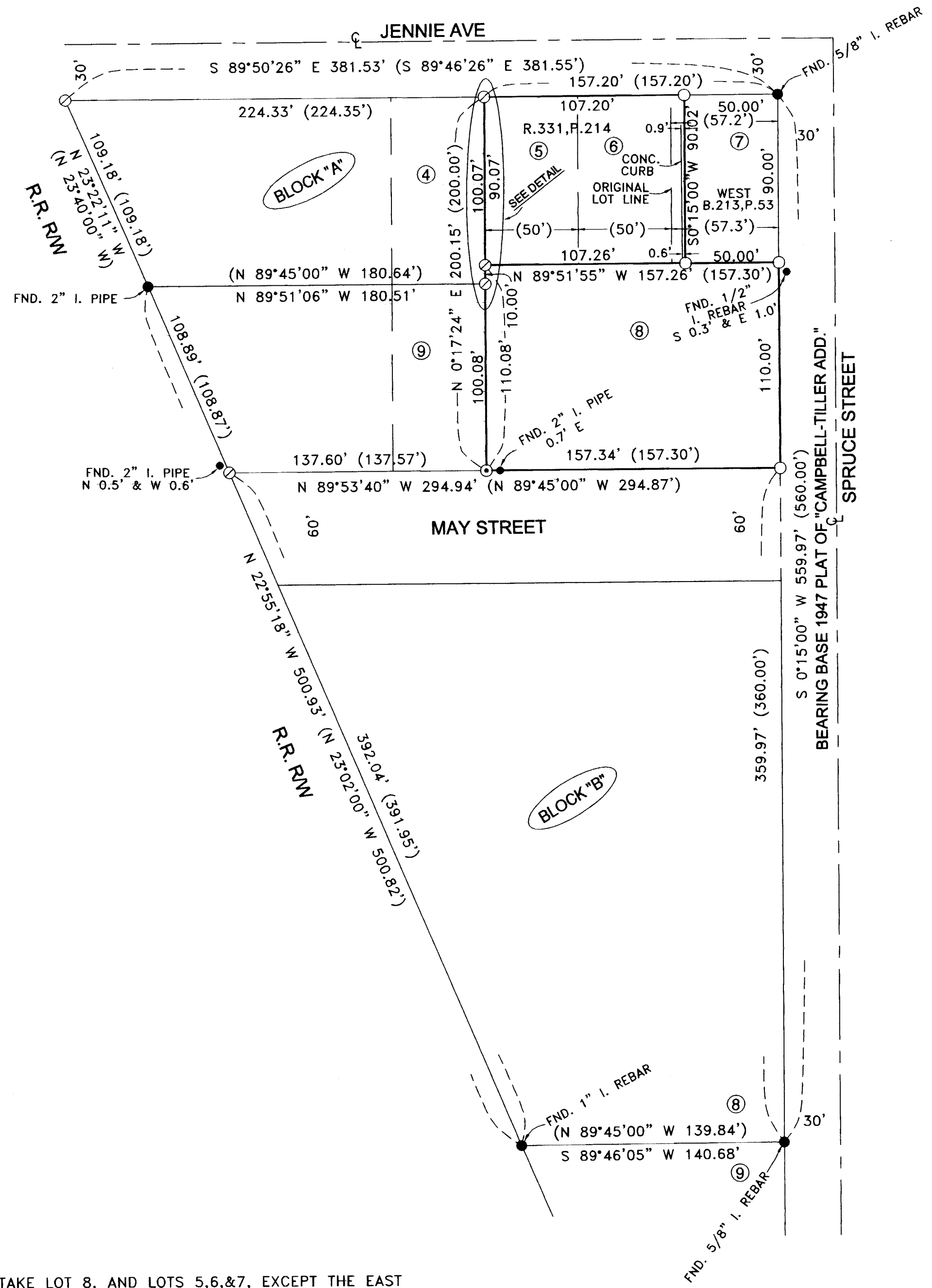
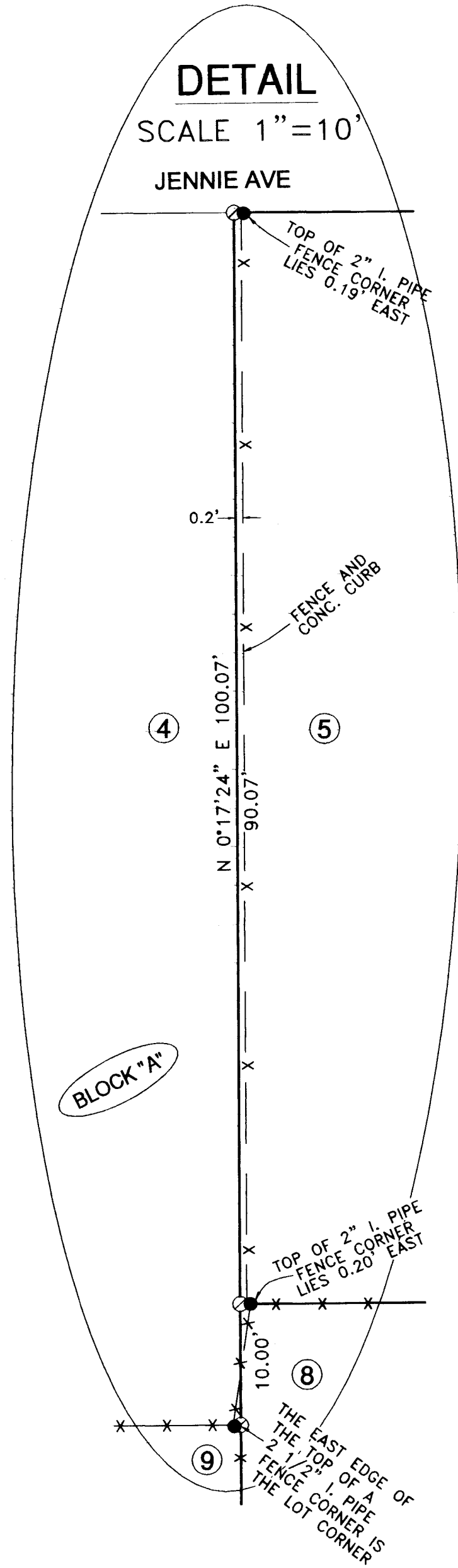


DETAIL
 SCALE 1"=10'
 JENNIE AVE



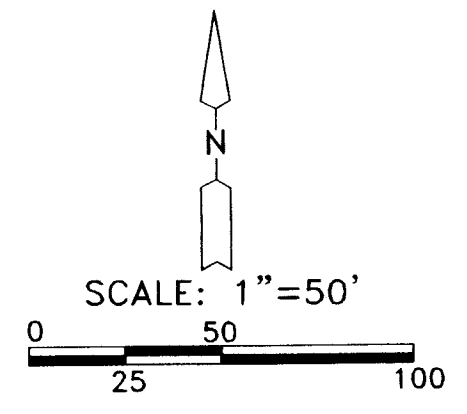
NARRATIVE:

THE PURPOSE OF THIS SURVEY IS TO STAKE LOT 8, AND LOTS 5,6,&7, EXCEPT THE EAST 50 FEET, BLOCK "A" "CAMPBELL-TILLER ADDITION" TO THE CITY OF HERMISTON SO SETBACKS CAN BE DETERMINED FOR SOME ADDITIONS FOR TWO HOMES ON SAID LOTS.

I FOUND 7 MONUMENTS OF SAID SUBDIVISION AND COULD NOT DETERMINE WHICH WERE ORIGINAL AND WHICH WERE SET AFTER THE ORIGINAL SURVEY. I USED FOUR MONUMENTS AS SHOWN WHICH FIT THE ORIGINAL PLAT VERY WELL AND DID NOT USE THREE MONUMENTS WHICH WERE OBVIOUSLY OUT OF POSITION. FROM THE FOUR MONUMENTS USED, I RETRACED THE ORIGINAL PLAT TO SET THE MISSING CORNERS. THE EXISTING FENCES FIT MY SURVEY REASONABLY WELL. IN FACT I USED IRON PIPE FENCE POSTS FOR WITNESS CORNERS FOR THE LOT CORNERS BETWEEN LOTS 4 AND 5.

A SOKKIA SET 300 TOTAL STATION WAS USED TO COLLECT DATA AND THE SURVEY WAS ROTATED TO THE MONUMENTS AT THE N.E. CORNER OF BLOCK "A" AND THE S.E. CORNER OF LOT 8 BLOCK "B".

REGISTERED
 PROFESSIONAL
 LAND SURVEYOR
G. Dennis Edwards
 OREGON
 JULY 16, 1971
 G. DENNIS EDWARDS
 9 5 1
 RENEWS 12/31/2007



LEGEND:

- MONUMENTS FOUND AS NOTED FROM 1947 PLAT OF "CAMPBELL-TILLER ADD." OR ORIG. UNKNOWN
- SET 5/8"x30" IRON REBAR WITH PLASTIC CAP #951
- ⊙ COMPUTED LOCATION FROM PLAT OF "CAMPBELL-TILLER ADD."
- ⊙ SET CONC. NAIL WITH WASHER IN CONC. CURB
- (000) OF RECORD. 1947 PLAT OF "CAMPBELL-TILLER ADD."

SURVEY FOR MARISELA VARGAS AND REBECA VARGAS-GARCIA IN BLK "A," OF "CAMPBELL-TILLER ADD.," IN SE 1/4, NE 1/4, SEC. 10, T 4 N, R 28 E, W.M., UMATILLA COUNTY, OREGON 06/27/2007 JOB# S0706106 EDWARDS SURVEYING P.O. BOX 763 541-567-3336 HERMISTON, OREGON 97838 DRAWN BY JWC