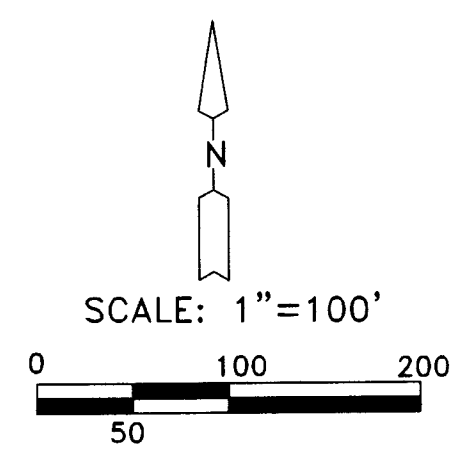


NARRATIVE:

THE PURPOSE OF THIS SURVEY IS TO STAKE AND DESCRIBE 9 LOTS OUT OF THAT TRACT OF LAND DEEDED TO MICHAEL ARTERBURN ON REEL 257, PAGE 1544, SO THEY CAN BE LEASED OUT.

I BASED THIS SURVEY AND THE BEARINGS ON ONE DONE ON ARTERBURN'S TRACT BY GARY ROBERTS IN 1995.

ARTERBURN'S TRACT IS JUNIOR TO LANGDON'S TRACT TO THE SOUTH. LANGDON'S DEED ON REEL 133, PAGE 2045, SAID THAT THE NORTH LINE WAS BOUNDED ON THE NORTH BY THE EASTERLY EXTENSION OF STURGES STREET BUT WENT ON TO DESCRIBE THE WEST LINE AS 870.31 FEET LONG FROM THE CENTER LINE OF BAGGETT LANE AND THE AND THE EAST LINE AS BEING 1063.67 FEET LONG FROM THE CENTER OF BAGGETT LANE. UNRECORDED IRON RODS WERE FOUND THAT NEARLY MATCH THE DEED DISTANCES. ALSO A FENCE WAS BUILT BETWEEN THOSE MONUMENTS. LANGDON'S DEED TO THE BETTY JEAN LANGDON TRUST ON REEL 411, PAGE 537, DOES NOT MENTION THE STURGES STREET EXTENSION. I CHOSE NOT TO USE THE EASTERLY EXTENSION OF STURGES STREET FOR THE NORTH LINE OF LANGDON BECAUSE I FIGURED THE DEED DISTANCES AND THE SURVEY MONUMENTS WHICH NEARLY MATCH THEM TAKE PRECEDENCE OVER THE STREET EXTENSION CALL.

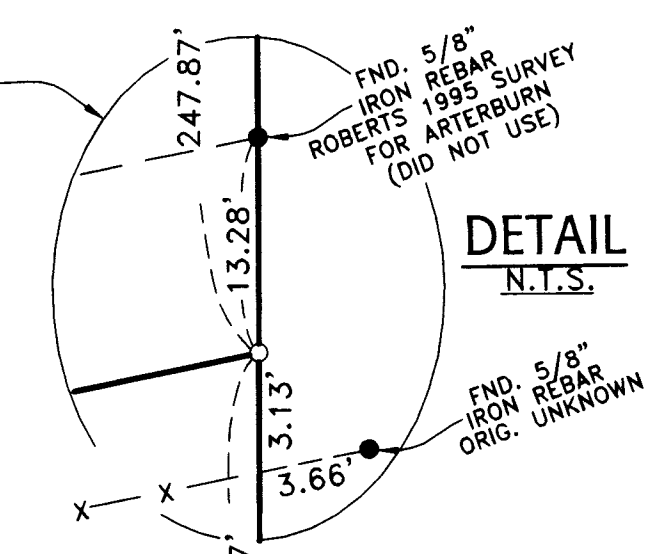


REGISTERED PROFESSIONAL LAND SURVEYOR

G. Dennis Edwards

OREGON
JULY 16, 1971
G. DENNIS EDWARDS
9 5 1
RENEWS 12/31/2005

- LEGEND:**
- FOUND MONUMENTS AS NOTED
 - SET 5/8"X30" IRON REBAR WITH PLASTIC CAP #951
 - ⊙ COMPUTED LOCATION
 - [000] OF RECORD, DEED R. 411, P. 537
 - (000) OF RECORD, PLAT OF "CHARLES TRACTS"



BETTY JEAN LANGDON FAMILY TRUST
R. 411, P. 537
(WAS R. 133, P. 2045)

SURVEY FOR MIKE ARTERBURN
IN SE 1/4, SEC. 27, T 5 N, R 28 E, W.M.,
UMATILLA COUNTY, OREGON
5/31/2005 JOB# S0504077
EDWARDS SURVEYING P.O. BOX 763
541-567-3336 HERMISTON, OREGON 97838
DRAWN BY NJF

RECEIVED BY
Umatilla County Surveyor
Date 7-05
Rec'd by KE

05-146-B