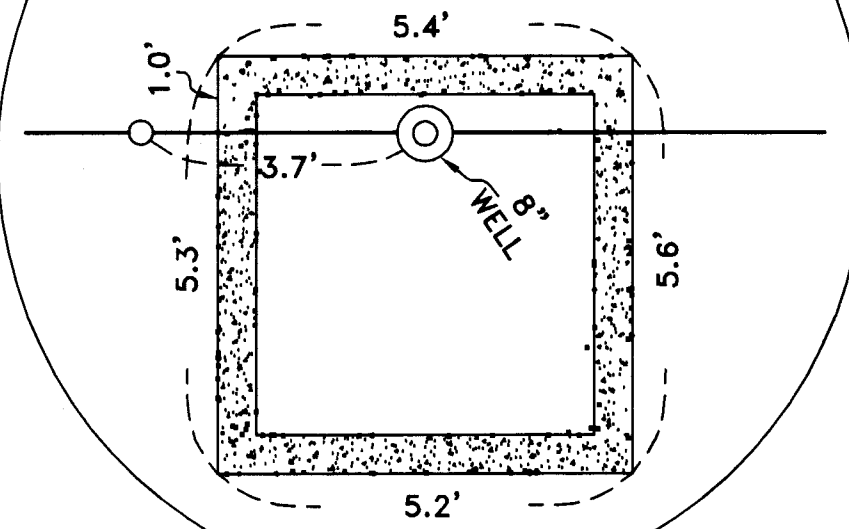


DETAIL

SCALE: 1"=20'



LEGEND:

- FOUND MONUMENTS AS NOTED
- SET 5/8"X30" IRON REBAR WITH PLASTIC CAP #951

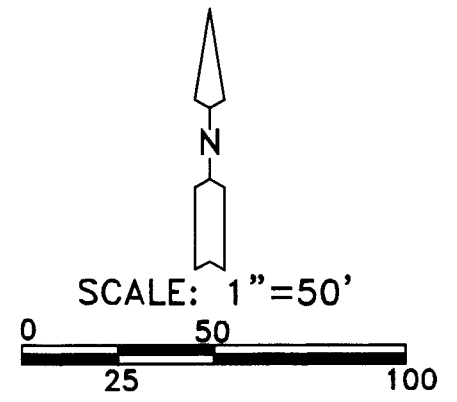
SURVEYOR'S NARRATIVE:

THE PURPOSE OF THIS SURVEY IS TO STAKE THE NORTH LINE OF THAT TRACT OF LAND DEEDED TO FRED, NAN, AND FRED JR. REEVES ON REEL 358, PAGE 800, UMATILLA COUNTY DEED RECORDS, TO SEE WHERE A WELL AND WELL HOUSE LIE IN RELATION TO SAID LINE. SAID WELL IS SHARED BY THIS TRACT AND THE TRACT TO THE NORTH BELONGING TO GEORGE BARTON. I FOUND THAT THE WELL IS ON THE PROPERTY LINE. I SURVEYED THIS LINE IN MY 1993 SURVEY FOR "ARLENE ESTATES PHASE 2". I RETRACED THAT SURVEY TO ESTABLISH THIS NORTH LINE AND TO CONFIRM THE IRON ROD AT THE SW CORNER OF BARTONS' TRACT WHICH WAS SET BY DAVID CHRISTENSON.

REGISTERED
PROFESSIONAL
LAND SURVEYOR

G. Dennis Edwards

OREGON
JULY 16, 1971
G. DENNIS EDWARDS
9 5 1
RENEWS 12/31/2007



SURVEY FOR FRED REEVES
IN SE 1/4 SEC. 16, T 4 N, R 28 E,
W.M., UMATILLA COUNTY, OREGON
09/13/2006 JOB# S0609156
EDWARDS SURVEYING P.O. BOX 763
541-567-3336 HERMISTON, OREGON 97838
DRAWN BY JMC

RECEIVED BY
Umatilla County Surveyor
Date: 10-06
By: JR
10-518-A