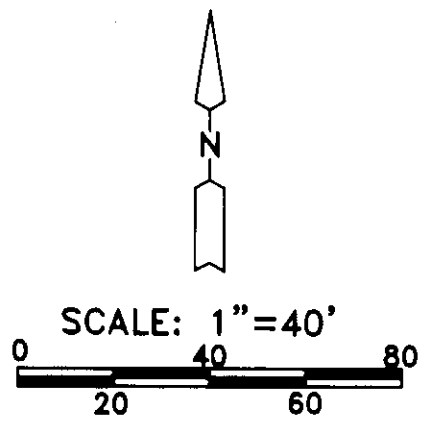
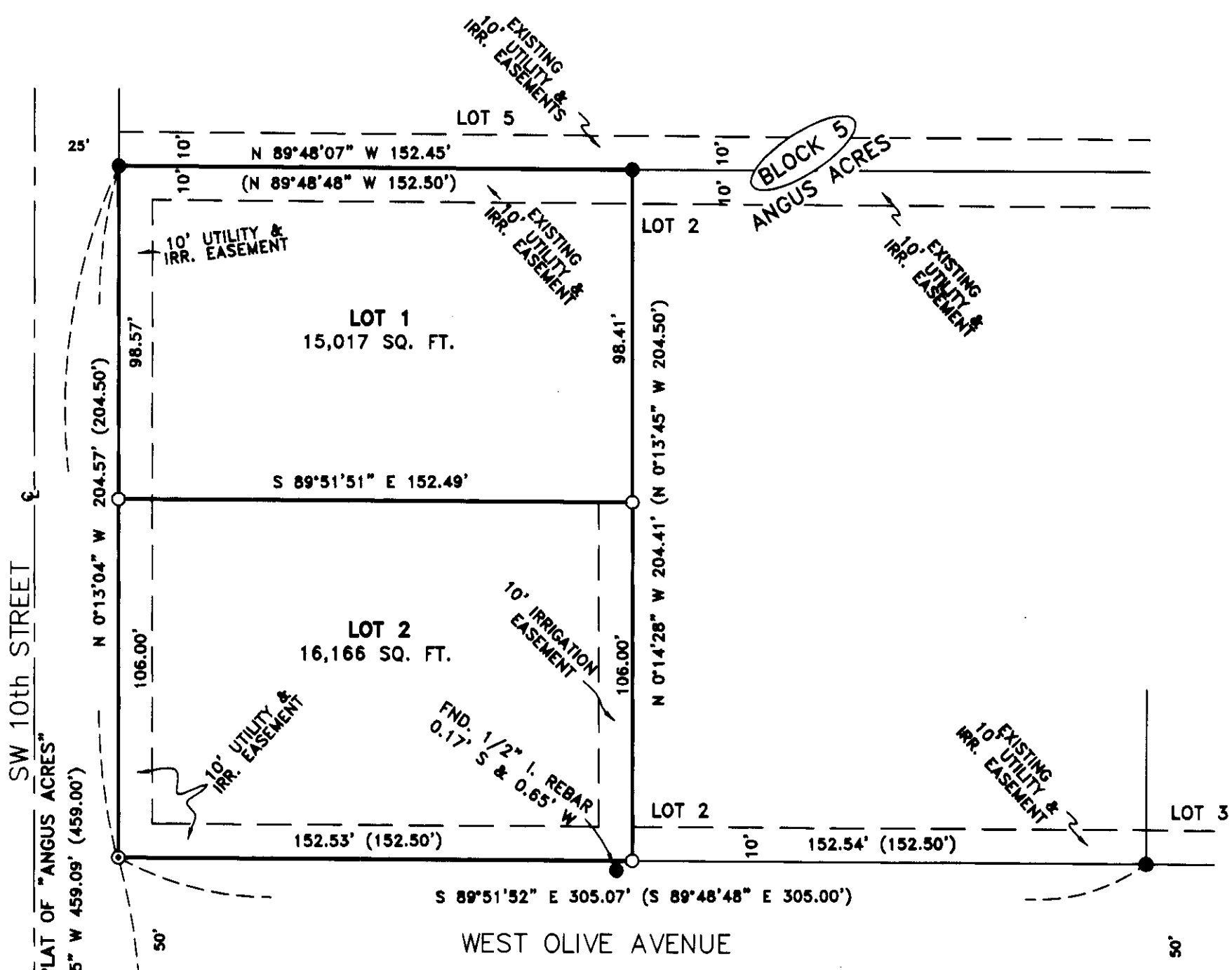


"K & K CRAFTON REPLAT"
 A REPLAT OF LOT 1, BLOCK 5, "ANGUS ACRES"
 IN NW 1/4, SW 1/4, SEC. 15, T 4 N, R 28 E, W.M.,
 CITY OF HERMISTON, UMATILLA COUNTY, OREGON

SURVEYORS CERTIFICATE AND NARRATIVE:
 I, G. DENNIS EDWARDS, AM A REGISTERED SURVEYOR OF THE STATE OF OREGON, AND HAVE MARKED WITH LEGAL MONUMENTS THE LAND SHOWN ON THIS PLAT.
 THIS TRACT WAS SURVEYED BY THOMPSON IN A 1967 SURVEY FOR "ANGUS ACRES". I FOUND ALL FOUR CORNERS OF THIS TRACT BUT THE SOUTHEAST CORNER HAS BEEN MOVED SO I SET A NEW ONE BY RETRACING THE 1967 PLAT OF "ANGUS ACRES".
DESCRIPTION: LOT 1, BLOCK 5, "ANGUS ACRES", IN THE SOUTHWEST QUARTER OF SECTION 15, T 4 N, R 28 E, WILLAMETTE MERIDIAN, UMATILLA COUNTY, OREGON.



REGISTERED
 PROFESSIONAL
 LAND SURVEYOR
G. Dennis Edwards
 OREGON
 JULY 16, 1971
 G. DENNIS EDWARDS
 9 5 1
 RENEWS 12/31/2007

APPROVALS:

UMATILLA COUNTY SURVEYOR
 APPROVED THIS 24 DAY OF Nov., 2006.
David H. Kline
 UMATILLA COUNTY SURVEYOR

CITY OF HERMISTON PLANNING COMMISSION
 APPROVED THIS 19 DAY OF October, 2006.
Margaret Taylor
 CHAIRMAN

HERMISTON CITY COUNCIL
 APPROVED THIS 19 DAY OF Oct, 2006.
Bob Swanson
 MAYOR

HERMISTON IRRIGATION DISTRICT
 APPROVED THIS 31st DAY OF Oct., 2006.
Charles Wilcox
 MANAGER

UMATILLA COUNTY COMMISSIONERS
 APPROVED THIS 11th DAY OF January, 2007.
James D. Roberts
 CHAIRMAN
W. Lawrence Miners
 COMMISSIONER Absent

UMATILLA COUNTY ASSESSOR & TAX COLLECTOR
 TAXES ARE PAID IN FULL
 APPROVED THIS 11th DAY OF January, 2007.
Paul Walker
 UMATILLA COUNTY TAX ASSESSOR
Bettina Enright by Dana McCall
 UMATILLA COUNTY TAX COLLECTOR deputy

STATE OF OREGON, }
 COUNTY OF UMATILLA }
 I certify that this instrument was received and recorded
 ON January 16, 2007
 at 12:55 o'clock P.m., in the record of
 PLATS of said County.
 BOOK 15 PAGE 21 Slide
OFFICE OF COUNTY RECORDS
 By: JEAN HEMPHILL Records Officer
 Fees \$ 50.00 No. 2007-5130578

OWNER'S DECLARATION:

WE, THE OWNERS OF THE ABOVE DESCRIBED LAND, HEREBY DECLARE THAT WE HAVE CAUSED THIS PLAT TO BE PREPARED. WE HEREBY DEDICATE A 10 FOOT WIDE EASEMENT FOR UTILITIES AND IRRIGATION PURPOSES ALONG S.W. TENTH STREET AND ALONG WEST OLIVE AVENUE AS SHOWN. WE ALSO HEREBY DEDICATE A 10 FOOT WIDE IRRIGATION EASEMENT ALONG THE EAST LINE OF LOT 2 AS SHOWN FOR THE USE OF LOTS 1 AND 2.

Vance Crafton
 VANCE CRAFTON
Debbie Crafton
 DEBBIE CRAFTON

STATE OF OREGON }
 COUNTY OF UMATILLA }
 ACKNOWLEDGED BEFORE ME ON THIS
21 DAY OF November, 2006
Chris Hobbs
 NOTARY PUBLIC FOR OREGON
 COMMISSION NO. 390586
 MY COMMISSION EXPIRES 5-8-09

BLOCK 3
 ANGUS ACRES

LEGEND:
 ● FOUND 1/2" IRON REBAR, THOMPSON 1967 SURVEY FOR "ANGUS ACRES"
 ⊙ FOUND NAIL IN 6"x6" CONC. MONUMENT, THOMPSON 1967 SURVEY FOR "ANGUS ACRES"
 ○ SET 5/8"x30" IRON REBAR WITH PLASTIC CAP #951
 (000) OF RECORD, 1967 PLAT OF "ANGUS ACRES"

THIS IS AN EXACT COPY: *G. Dennis Edwards*
 G. DENNIS EDWARDS

JOB# S0607111
 EDWARDS SURVEYING P.O. BOX 763
 541-567-3336 HERMISTON, OREGON 97838
 DRAWN BY JMC

RECEIVED BY
 Umatilla County Surveyor
 Date 2-07
 Rec'd by KK
 No. 07-22-B