

2003-17

# PARTITION PLAT 2003-17

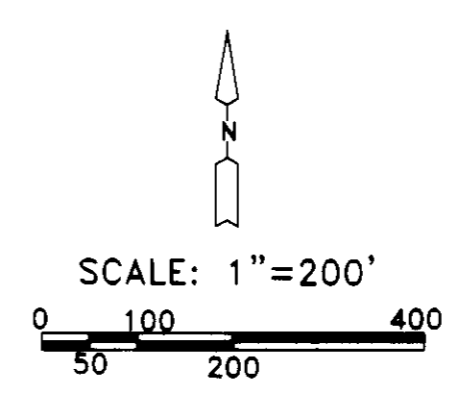
IN SW 1/4, SEC. 13, T 4 N, R 28 E, W.M.,  
CITY OF HERMISTON, UMATILLA COUNTY, OREGON

STATE OF OREGON,  
COUNTY OF UMATILLA } ss  
I certify that this instrument was received and recorded  
ON August 7, 2003  
at 12:50 o'clock Pm., in the record of  
PLATS of said County.  
YEAR NUMBER Slide  
2003 17

OFFICE OF COUNTY RECORDS  
By: ...GEORGIA DUNAWAY...Records Officer  
Fees \$ 50.00 No. 2003-4440272

**SURVEYOR'S CERTIFICATE & NARRATIVE:**

I, G. DENNIS EDWARDS AM A REGISTERED SURVEYOR OF THE STATE OF OREGON, AND HAVE MARKED WITH PROPER MONUMENTS THE LAND SHOWN IN THIS PLAT.  
I SURVEYED THIS TRACT IN 1995 AS PARCEL 1, PARTITION PLAT 1995-15. I BASED THIS SURVEY AND THE BEARINGS ON THAT 1995 PLAT.  
THE DESCRIPTION OF THIS TRACT IS PARCEL 1, PARTITION PLAT 1995-15 IN THE CITY OF HERMISTON, IN THE SW 1/4 SECTION 13, T 4 N, R 28 E, W.M., UMATILLA COUNTY, OREGON.



REGISTERED  
PROFESSIONAL  
LAND SURVEYOR  
*G. Dennis Edwards*  
OREGON  
JULY 16, 1971  
G. DENNIS EDWARDS  
RENEWS 12/31/2003

**OWNERS DECLARATION:**

WE, THE OWNERS OF THE LAND DESCRIBE ABOVE, HEREBY DECLARE THAT WE HAVE CAUSED THIS PLAT TO BE PREPARED.  
WE ACKNOWLEDGE THE EASEMENTS AS SHOWN WHICH WERE DEDICATED ON PARTITION PLAT 1995-15.

STATE OF OREGON }  
COUNTY OF ~~Tillamook~~ }  
SUBSCRIBED, AND SWORN BEFORE ME ON THIS  
30th DAY OF July, 2003  
*Janet Lease*  
NOTARY PUBLIC FOR OREGON  
PRINTED NAME Janet Lease  
COMMISSION NO. 344918  
MY COMMISSION EXPIRES 5-25-2005

STATE OF OREGON }  
COUNTY OF UMATILLA }  
SUBSCRIBED, AND SWORN BEFORE ME ON THIS  
28th DAY OF July, 2003  
*Phillip C. Brown*  
NOTARY PUBLIC FOR OREGON  
PRINTED NAME Phillip C. Brown  
COMMISSION NO. 334748  
MY COMMISSION EXPIRES June 09, 2004

**APPROVALS:**

UMATILLA COUNTY SURVEYOR:  
APPROVED THIS 7 DAY OF August, 2003  
*David H. Kelle*  
UMATILLA COUNTY SURVEYOR

CITY OF HERMISTON PLANNING COMMISSION:  
APPROVED THIS 5 DAY OF July, 2003  
*Theresa Wandy*  
CHAIRMAN

UMATILLA COUNTY TAX COLLECTOR:  
TAXES ARE PAID IN FULL.  
APPROVED THIS 6th DAY OF August, 2003  
*Shirley Roberts*  
TAX COLLECTOR

**LEGEND:**

- MONUMENTS FOUND
- Ⓐ 5/8" IRON REBAR SET BY ME IN 5/8/95 SURVEY FOR TOM ABLE
- Ⓑ 5/8" IRON REBAR SET BY ME IN PARTITION PLAT 1995-15 UNLESS NOTED OTHERWISE
- SET 5/8"X30" IRON REBAR WITH PLASTIC CAP #951

RECEIVED BY  
Umatilla County Surveyor  
Date 8-03  
Rec'd by KK  
03-223-B

JOB# S0306137  
EDWARDS SURVEYING P.O. BOX 763  
541-567-3336 HERMISTON, OREGON 97838  
DRAWN BY NJF

THIS IS AN EXACT COPY: *G. Dennis Edwards*  
G. DENNIS EDWARDS

