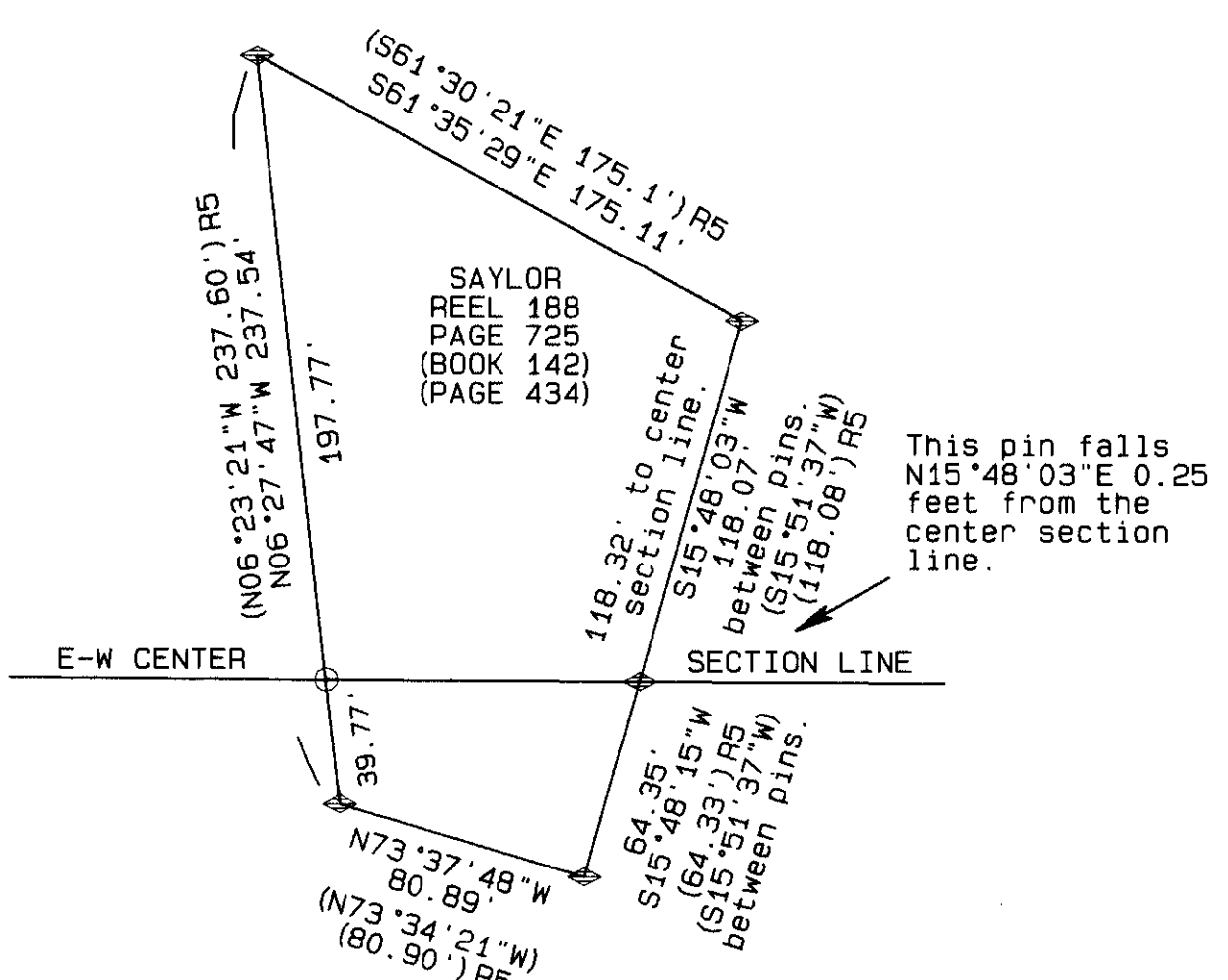
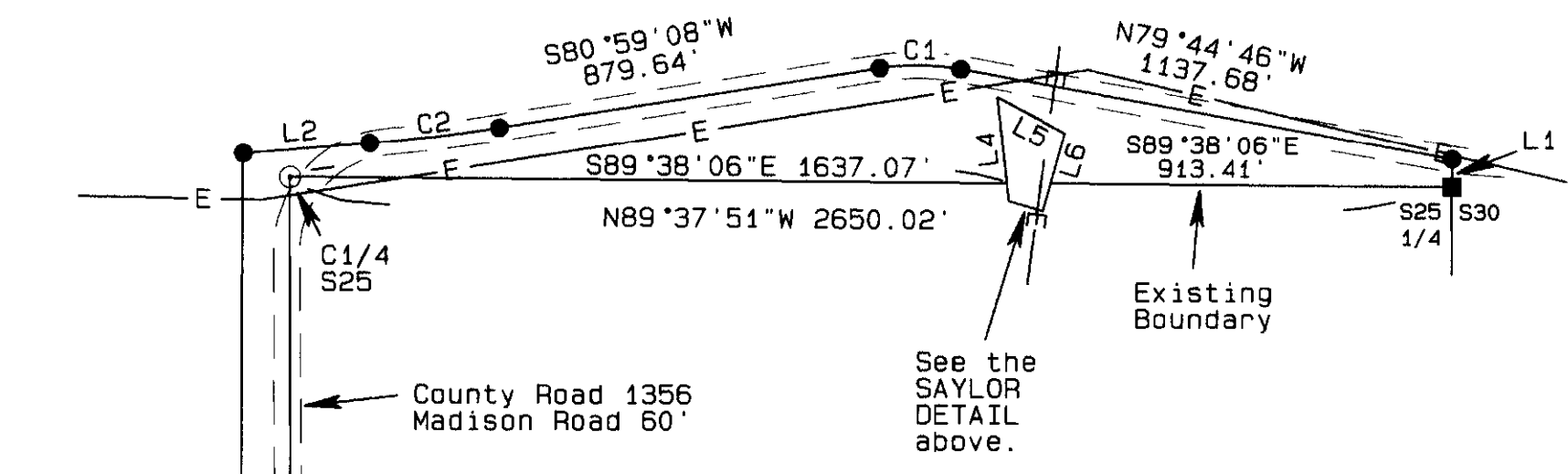


**SAYLOR DETAIL**  
SCALE 1" = 60'



**BOUNDARY ADJUSTMENT DETAIL**  
SCALE 1" = 400'



**LINE TABLE 1**

LINE NO.	BEARING	DISTANCE
L1	N00°08'16"E	63.84'
L2	S85°15'44"W	289.53'
L3	S89°50'10"E	123.24'
L4	N06°27'47"W	197.70'
L5	S81°35'29"E	175.11'
L6	S15°48'03"W	118.07'

**CURVE TABLE**

CURVE No.	ARC	DELTA	RADIUS	CHORD	BEARING
C1	184.96'	19°16'06"	550.00'	184.09'	N89°22'49"W
C2	298.57'	4°16'36"	4000.00'	298.50'	S83°07'26"W

**LINE TABLE 2**  
RECORD DIMENSIONS ARE FROM SURVEY 82-115-A

LINE No.	BEARING	DISTANCE
L7	N89°39'04"W	742.58'
L8	N89°48'W	742.0'
L9	N89°40'43"W	812.26'
L10	N89°48'W	812.0'
L11	S00°03'09"E	1074.21'
L12	S89°41'22"E	816.31'
L13	N89°48'W	812.0'
L14	N00°15'06"W	1074.09'
L15	N00°34'W	1074.0'

**NARRATIVE OF SURVEY**

This survey was performed at the request of Mr. Kent Madison. The purpose of the survey was to monument the proposed new boundary and describe the area to be adjusted from Tax Lot 5400 as shown hereon into Tax Lot 5900 as shown hereon.

This boundary adjustment is the second in a series of three boundary adjustments that are being performed on Tax Lot 5900. The other two boundary adjustments will be between Tax Lot 100 in Township 2 North Range 27 East and Tax Lot 6200 as shown hereon. Care should be taken to review the other adjustments along with this survey.

The majority of this township was remonumented with brass caps by Otis Gould in 1938 under the GLO Dependent Resurvey. Since that date, the Gould monuments and survey have been used as control for the surveys done in this area. In survey 90-52-A, Denny Edwards used Gould's record to re-establish the corners along the east side of sections 24 and 25. He then calculated the location of the east-west centerline of Section 25 using a proportionate point for the location of the west 1/4 corner of Section 25. In 1982, Walt Cramer surveyed Tax Lot 5401 in Section 26 and stated that he used Gould's brass cap at the west 1/4 corner of Section 25 as control for his survey. I found all of Cramer's monuments on Tax Lot 5401 and also found a 1 1/2" iron pipe without a brass cap at the position for the 1/4 corner as indicated by Cramer's monuments. Cramer said nothing about this corner being 20" below the surface, but, as it is within 0.38' of Gould's record location, I find this monument undisputable.

I calculated all aliquot part lines in accordance with the 2009 manual of instructions. This survey was performed with a Trimble R7/R8 RTK GPS system using Real Time mode.

**LEGEND**

- SET A 5/8" x 24" IRON REBAR W/ A 1/8" ORANGE PLASTIC CAP STAMPED WTS AND 56295LS
- FOUND GLO BRASS CAP BY OTIS GOULD
- FOUND BRASS CAP BY EDWARDS SURVEYS 90-52-A AND 90-53-A
- ◇ FOUND 1/2" IRON REBAR FROM SURVEY 90-52-A
- COMPUTED POINT
- R1 GLO CONTRACT #83 DATED JULY 22, 1859 BY DAVID P. THOMPSON
- R2 GLO CONTRACT #93 DATED SEPTEMBER 11, 1860 BY EBENEZER HAFT
- R3 GROUP No. 217 DATED JANUARY 26, 1938 BY OTIS O. GOULD
- R4 COUNTY SURVEY 82-115-A
- R5 COUNTY SURVEY 90-52-A
- R6 COUNTY SURVEY 90-53-A
- R7 COUNTY SURVEY 91-34-C
- R8 COUNTY SURVEY 09-68-C

**BASIS OF BEARINGS**

Bearings are based on GPS derived grid bearings rotated 0°47'33" clockwise to obtain the bearings shown on this map. Distances shown are true ground distances.

**RECEIVED BY**

Umatilla County Surveyor  
Date: 12/11/2013  
Rec'd By: *Dave Roberts*  
No. 13-557-C

REGISTERED PROFESSIONAL LAND SURVEYOR

*Stephen K. Haddock*  
STEPHEN K. HADDOCK  
56295LS  
RENEWS 6-30-15

Monuments set in May of 2013

**BOUNDARY ADJUSTMENT SURVEY FOR**  
Mr. Kent Madison  
28647 Madison Road  
Echo, Oregon 97826

LOCATION: S1, T2N AND S25 AND S36, T3N, R27E-W.M., UMATILLA COUNTY, OREGON

PROJECT DATE: DECEMBER 2012

Project No. 12-28

SCALE: 1" = 600'

**WITNESS TREE SURVEYING**

Stephen K. Haddock, PLS, CFedS  
P.O. Box 6  
Pilot Rock, Oregon 97868  
(541) 443-2922