

WINONA ADDITION

JENNIE AVENUE

BLK. "A"

BLK. "B"

BLK. "D"

BLK. "C"

NW SPURCE

N FIRST STREET (US HWY #395)

W. CATHERINE AVENUE

W. JUNE AVENUE

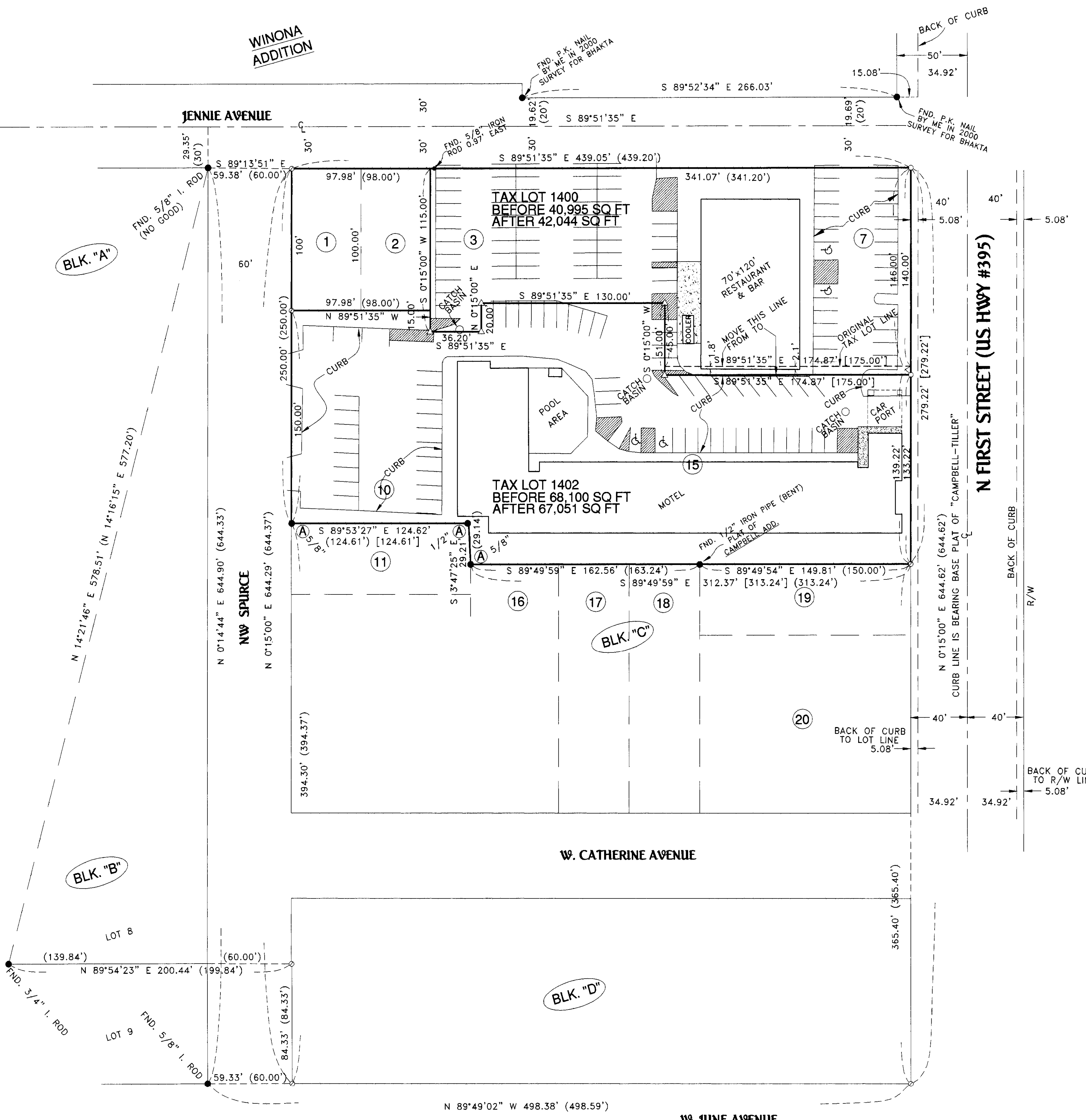
TAX LOT 1400  
BEFORE 40,995 SQ FT  
AFTER 42,044 SQ FT

TAX LOT 1402  
BEFORE 68,100 SQ FT  
AFTER 67,051 SQ FT

70' x 120'  
RESTAURANT  
& BAR

POOL AREA

MOTEL



**NARRATIVE:**

THE PURPOSE OF THIS SURVEY IS TO DO A BOUNDARY LINE ADJUSTMENT BETWEEN TAX LOT 1402 WHICH IS DESCRIBED AS PARCEL ONE (MOTEL) IN A DEED TO THE 1989 WILLIAM R. STEWART TRUST ON REEL 221, PAGE 1225, UMATILLA COUNTY DEED RECORDS, AND TAX LOT 1400 WHICH IS DESCRIBED AS PARCEL TWO (RESTAURANT) IN SAID WILLIAM R. STEWART TRUST DEED. THIS WAS DONE TO MOVE THE BOUNDARY LINE FROM GOING THROUGH THE RESTAURANT AND IS FOR A PENDING SALE.

PALMER SURVEYED THE OUTER BOUNDARY OF BOTH PARCELS IN A 1976 SURVEY FOR BRENNER. I USED HIS MONUMENT AT THE NORTHWEST CORNER OF LOT 11. I USED THE CURB LINES OF HIGHWAY 395 TO ESTABLISH THE R/W WHICH IS ALSO THE EAST LINE OF BLOCK "C" OF "CAMPBELL-TILLER ADDITION". SAID EAST LINE FIT WELL WITH PALMER'S MONUMENTS AS WELL AS THE IRON PIPE WHICH I FOUND AT THE NW CORNER OF LOT 19. ALSO THE NORTH LOCATION OF AN IRON ROD I FOUND 0.97 FEET EAST OF THE NW CORNER OF LOT 3 FIT MY SURVEY.

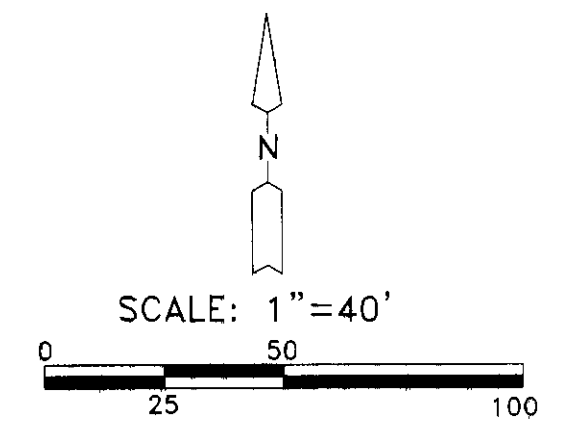
THE DISTANCE OF THE NORTH LINE OF BLOCK "C" IS WITHIN 0.15' OF THE ORIGINAL PLAT.

I DISCOVERED THAT THE IRON ROD THAT I USED FOR THE COUNTY GIS SURVEY IN 2004 AT THE NE CORNER OF BLOCK "A" IS PROBABLY NOT THE ORIGINAL MONUMENT AND SHOULD BE SOUTH AND POSSIBLY WEST OF WHERE IT IS.

REGISTERED PROFESSIONAL LAND SURVEYOR  
*G. Dennis Edwards*  
 OREGON  
 JULY 15, 1971  
 G. DENNIS EDWARDS  
 9 5 1  
 RENEWS 12/31/2005

**LEGEND:**

- MONUMENTS FOUND AS NOTED OR
- (A) 1976 PALMER SURVEY FOR BRENNER
- SET 5/8"X30" IRON REBAR WITH PLASTIC CAP #951
- △ SET R.R. SPIKE STAMPED 951
- ⊗ COMPUTED LOCATION
- (000) OF RECORD, PLAT OF "CAMPBELL-TILLER ADDITION"
- [000] DEED



RECEIVED BY  
 Umatilla County Surveyors  
 Date: 1-06  
 Drawn by: KK  
 No. 06-02-C

SURVEY FOR CURT BANEY, INC.  
 IN BLK. "C", "CAMPBELL TILLER ADDITION",  
 IN NE 1/4, SEC. 10, T 4 N, R 28 E,  
 W.M., UMATILLA COUNTY, OREGON  
 9/24/05 JOB# S0509155  
 EDWARDS SURVEYING P.O. BOX 763  
 541-567-3336 HERMISTON, OREGON 97838  
 DRAWN BY NJF/JMC