

BASIS OF BEARINGS
 N 89°36'43" E ALONG THE CENTERLINE OF N.E. 5TH AVENUE, EAST LINE OF SECTION 2 TO ELIZABETH STREET, AS SHOWN ON SURVEY 82-56-B.

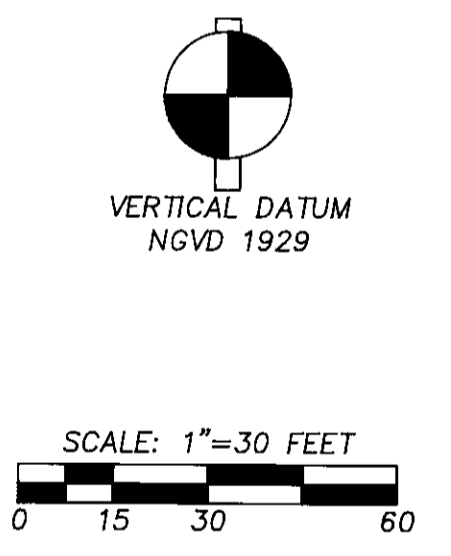
- LEGEND**
- X—X— FENCE LINE
 - — — — — RIGHT OF WAY LINE
 - — — — — CENTERLINE
 - — — — — PROPERTY LINE
 - — — — — SECTIONAL SUBDIVISION LINE
 - ✱ PROVIDED STRADDLE NAILS FOR USE BY THE MILTON FREEWATER PUBLIC WORKS DEPARTMENT TO REPLACE OBLITERATED MONUMENT WITH BRASS CAP IN MON. CASE.
 - SET COTTON GIN SPIKE, BEING A 1/2" X 4" HARDENED STEEL SHANK WITH A SPLINED HEAD
 - SET A 5/8" X 30" REBAR WITH PLASTIC YELLOW CAP STAMPED "TOMKINS SURVEYING" FOR PROPERTY CORNER, UNLESS OTHERWISE NOTED.
 - CALCULATED POINT, NOT SET
 - x SPOT ELEVATION
 - ⊗ WATER VALVE
 - ⊙ SANITARY SEWER MANHOLE
 - WM WATER METER
 - SEWER CLEAN OUT
 - H— HORIZON SIGN
 - ⊕ TREE
 - ⊕- POWER POLE AND GUY ANCHOR
 - P— BURIED POWER LINE

LEGAL DESCRIPTION
 LOTS 4, 5, 6, 7, 8, 9, 10, 11, AND THE SOUTH 10 FEET OF LOT 12, BLOCK 45, ORIGINAL TOWN, NOW CITY OF MILTON FREEWATER, UMATILLA COUNTY, OREGON;
 ALSO THAT PORTION OF VACATED N.E. 6TH STREET DESCRIBED AS BEGINNING AT THE SOUTHWEST CORNER OF SAID BLOCK 45, A DISTANCE OF 212 FEET TO THE SOUTHEAST CORNER THEREOF; THENCE SOUTH ALONG EAST LINE OF SAID BLOCK 45, IF EXTENDED SOUTHERLY A DISTANCE OF 20 FEET; THENCE WEST AND PARALLEL TO SOUTH LINE OF SAID BLOCK 45 A DISTANCE OF 212 FEET TO A POINT ON WEST LINE OF SAID BLOCK 45, IF EXTENDED SOUTHERLY; THENCE NORTH ALONG SAID EXTENDED LINE A DISTANCE OF 20 FEET TO SOUTHWEST CORNER OF SAID BLOCK AND THE POINT OF BEGINNING.
 SUBJECT TO ANY AND ALL WATER RIGHTS OF WAY.

NARRATIVE
 THIS SURVEY WAS PERFORMED TO LOCATE THE BOUNDARIES OF AND TOPOGRAPHIC FEATURES UPON LAND OWNED BY THE HORIZON PROJECT, INC. AS IS SHOWN HEREIN, IT WAS NECESSARY TO RECREATE THE POSITION OF MONUMENTS ALONG N.E. FIFTH AV., DESTROYED DURING STREET RECONSTRUCTION. THE CITY OF MILTON FREEWATER AGREED TO RESET THE MONUMENTS SHOWN WITH BRASS CAPS AND MONUMENT CASES SUBSEQUENT TO THIS SURVEY.
 TO RECONSTRUCT THE EAST LINE OF BLOCK 45, I HAVE HELD COWL STREET AS PARALLEL TO MONUMENTED RUSSELL STREET, AND HAVE HELD THE RECORD 61.72 FT. DISTANCE WEST FROM THE 1/16 CORNER IN N.E. 8TH AVENUE TO THE EAST LINE OF COWL STREET AT ITS INTERSECTION WITH N.E. 8TH. THE UNRECORDED REBARS SHOWN OUT OF POSITION HEREIN WERE SET BY STREAMER, DATE UNKNOWN. I HAVE IN MY POSSESSION NOTES FROM STREAMER'S FILES, AND HE ERRONEOUSLY SHOWS THE ALLEY WIDTH AS 14 FT. IN THIS BLOCK, RESULTING IN THE INCORRECT PIN PLACEMENT.
 THIS SURVEY WAS PERFORMED AS A COMBINATION REAL TIME KINEMATIC SURVEY USING ASHTECH G+G SINGLE FREQUENCY RECEIVERS, AND A RADIAL FIELD SURVEY USING A SOKKIA AUTOMATIC TOTAL STATION. THE MONUMENTS SHOWN WERE VISITED IN FEBRUARY OF THE YEAR 2000.

LINE TABLE

NO.	BEARING	DISTANCE
L1	N 00°35'48" E	14.98'
L2	N 00°35'52" E	20.00'



REPLACED PK NAIL SHOWN ON SURVEY 97-110-B WITH BRASS CAP IN MONUMENT CASE AT CL OF 5TH. AND WARD. UNRECORDED NOTES BY STREAMER SHOW THIS CORNER AS A R.R. SPIKE. I BELIEVE THE PK WAS SET BY DWYER.

REPLACED PK NAIL SHOWN ON SURVEY 97-110-B WITH BRASS CAP IN MONUMENT CASE AT CL OF 5TH. AND WARD. UNRECORDED NOTES BY STREAMER SHOWS THIS CORNER AS A R.R. SPIKE.

REPLACED LEAF SPRING AND STRADDLES SHOWN ON SURVEY 97-110-B WITH A BRASS CAP AND MONUMENT CASE AT CL 5TH. AND RUSSELL.

IT IS BELIEVED THAT A JOG IN N.E. 5TH EXISTS AT THE EASTLINE OF SEC. 2. IT IS BEYOND THE SCOPE OF THIS SURVEY TO ANALYZE THIS JOG. I HAVE SHOWN THE CENTERLINE EAST FROM THE RUSSELL ST. INTERSECTION TO THE EAST LINE OF THE N.E. 1/4 OF SECTION 2 AS A SURVEY TIE ONLY.

R.R. SPIKE UNDER 3" OF ASPHALT, ORIGIN UNKNOWN, SEE SURVEY 82-56-B AND PARTITION PLAT 1992-06, INTERSECTION OF 5TH. AND E LINE SEC. 2. REBAR UNDER 3" OF ASPHALT AT INTERSECTION OF 5TH. AND ELIZABETH.

REGISTERED PROFESSIONAL LAND SURVEYOR
Paul W.P. Tomkins
 OREGON
 JULY 26, 1988
 PAUL W.P. TOMKINS
 2360
 RENEWS 6/30/2000
 2/17/00

3-2000
 KK
 00-42-C
 2" BRASS CAP SET BY TOMKINS UNDER 3" OF ASPHALT AT INTERSECTION OF 5TH. AND ELIZABETH.

FOR: HORIZON PROJECT, INC., 608 NORTH RUSSELL STREET
 MILTON FREEWATER, OREGON. 97862
 BEING LOCATED IN THE ORIGINAL TOWN OF FREEWATER,
 UMATILLA COUNTY, STATE OF OREGON

SCALE
 HOR. 1" = 30'
 VERT. 1" = 30'
 DATE
 FEBRUARY, 2000

TOMKINS LAND SURVEYING INC.
 20 EAST POPLAR SUITE 204 WALLA WALLA, WA. 99362
 A SITE AND BOUNDARY SURVEY LOCATED IN THE S.E. 1/4
 OF THE N.E. 1/4 OF SEC. 2, TWP. 5 N., RGE. 35 E., W.M.

HORZRUS.DWG
 SHEET 1 OF 1