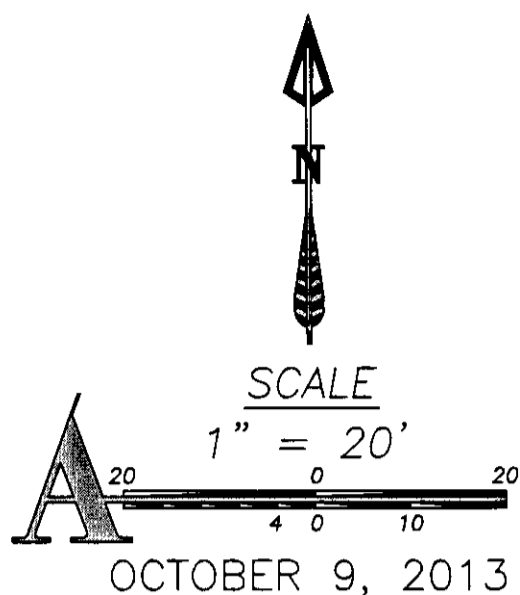


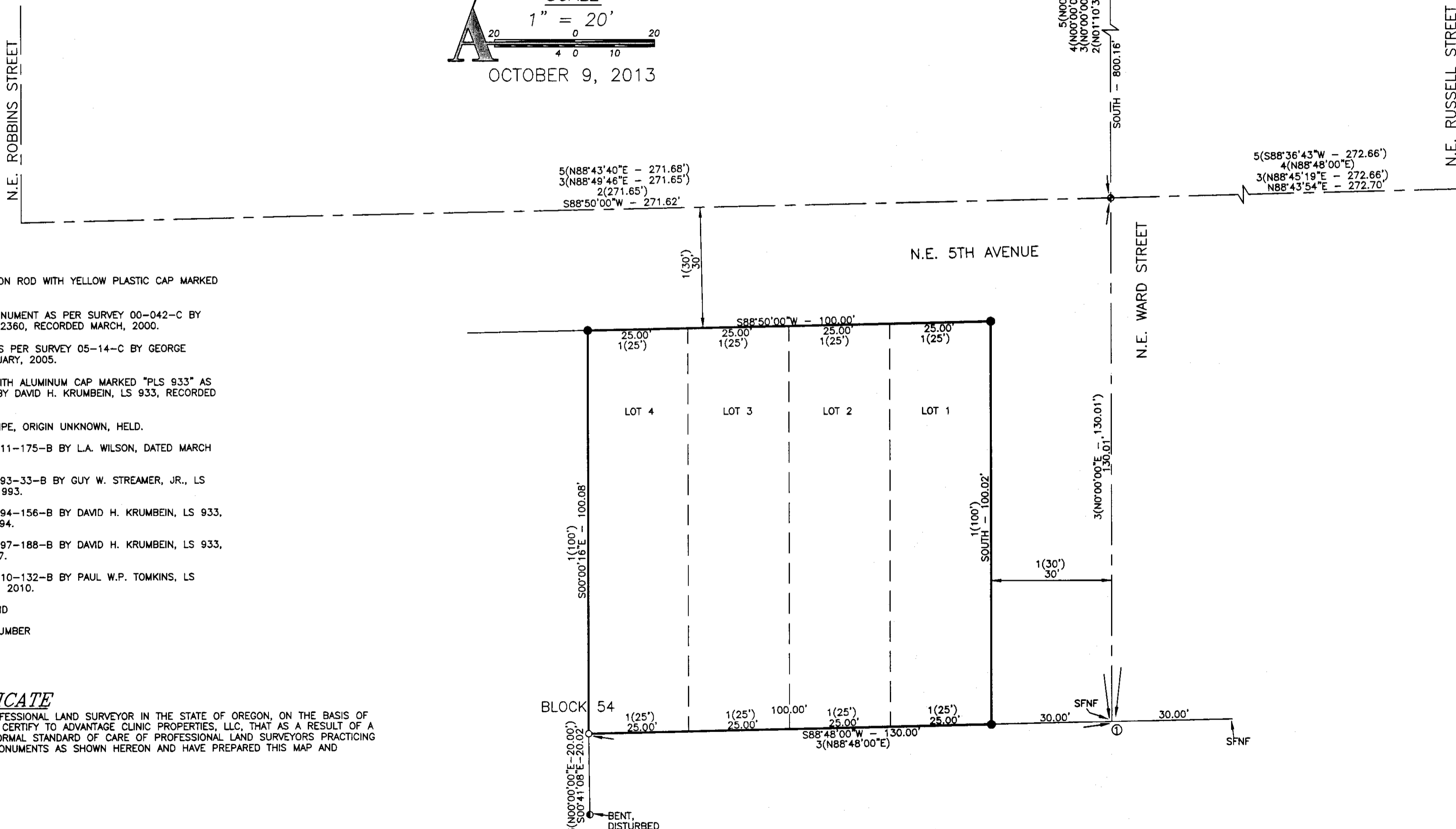
BOUNDARY SURVEY OF LOTS 1, 2, 3 & 4 OF BLOCK 54 OF THE ORIGINAL PLAT OF THE TOWN OF FREEWATER, LOCATED IN THE SE1/4 OF SECTION 2, T.5N., R.35E., W.M., MILTON-FREEWATER, UMATILLA COUNTY, OREGON
W.O. 13-4420

SURVEY FOR
 ADVANTAGE CLINIC PROPERTIES, LLC
 442 SW UMATILLA AVE., STE 200
 REDMOND, OR 97756
 (541) 323-4612

SURVEY BY
 ARMSTRONG SURVEYING
 & ENGINEERING, INC.
 267 NE SECOND ST. STE. 100
 PRINEVILLE, OR 97754
 (541) 447-7791



OCTOBER 9, 2013



LEGEND

- SET 5/8" x 30" LONG IRON ROD WITH YELLOW PLASTIC CAP MARKED "ARMSTRONG S&E".
- FOUND 3" BRASS CAP MONUMENT AS PER SURVEY 00-042-C BY PAUL W.P. TOMPKINS, LS 2360, RECORDED MARCH, 2000.
- FOUND 5/8" IRON ROD AS PER SURVEY 05-14-C BY GEORGE FLOWERS, RECORDED JANUARY, 2005.
- FOUND 5/8" IRON ROD WITH ALUMINUM CAP MARKED "PLS 933" AS PER SURVEY 94-156-B BY DAVID H. KRUMBEIN, LS 933, RECORDED NOVEMBER, 1994.
- FOUND 3/4" O.D. IRON PIPE, ORIGIN UNKNOWN, HELD.
- 1() RECORD AS PER SURVEY 11-175-B BY L.A. WILSON, DATED MARCH 18TH, 1903.
- 2() RECORD AS PER SURVEY 93-33-B BY GUY W. STREAMER, JR., LS 1341, RECORDED APRIL, 1993.
- 3() RECORD AS PER SURVEY 94-156-B BY DAVID H. KRUMBEIN, LS 933, RECORDED NOVEMBER, 1994.
- 4() RECORD AS PER SURVEY 97-188-B BY DAVID H. KRUMBEIN, LS 933, RECORDED OCTOBER, 1997.
- 5() RECORD AS PER SURVEY 10-132-B BY PAUL W.P. TOMPKINS, LS 2360, RECORDED AUGUST, 2010.
- SFNF SEARCHED FOR NOT FOUND
- ① CORNER IDENTIFICATION NUMBER

SURVEYOR'S CERTIFICATE

I, TODD R. CATTERSON, A REGISTERED PROFESSIONAL LAND SURVEYOR IN THE STATE OF OREGON, ON THE BASIS OF MY KNOWLEDGE, INFORMATION AND BELIEF, CERTIFY TO ADVANTAGE CLINIC PROPERTIES, LLC, THAT AS A RESULT OF A SURVEY MADE ON THE GROUND TO THE NORMAL STANDARD OF CARE OF PROFESSIONAL LAND SURVEYORS PRACTICING IN OREGON, I HAVE FOUND OR SET THE MONUMENTS AS SHOWN HEREON AND HAVE PREPARED THIS MAP AND NARRATIVE TO REPRESENT SAID SURVEY.

SURVEY NARRATIVE

WE WERE EMPLOYED BY ADVANTAGE CLINIC PROPERTIES, LLC, TO COMPLETE A BOUNDARY SURVEY OF THEIR PROPERTY DESCRIBED AS LOTS 1-4 OF BLOCK 54 OF THE ORIGINAL TOWN OF FREEWATER. SEARCH IN THE FIELD RECOVERED A 3/4" IRON ROD AT THE SOUTHWEST CORNER OF THESE LOTS AND I HELD IT AS FOUND AS DID DAVID KRUMBEIN DID IN SURVEY 94-156-B. THE SOUTHEAST CORNER WAS SET BY FIRST REESTABLISHING THE LOCATION OF THE MISSING IRON ROD AT CORNER POSITION "1" BY EXTENDING THE CENTERLINE OF WARD STREET SOUTH, 130.01 FROM THE INTERSECTION OF 5TH AVENUE AND WARD STREET AS DID KRUMBEIN DID IN SURVEY 94-156-B. I THEN SET SAID SOUTHEAST CORNER 30 FEET WEST FROM CORNER POSITION "1" AND ON LINE BETWEEN CORNER POSITION "1" AND SAID SOUTHWEST CORNER. THE NORTHEAST CORNER WAS SET AT THE INTERSECTION OF THE CENTERLINE OF 5TH AVENUE OFFSET 30 FEET SOUTH AND WARD STREET OFFSET 30 FEET WEST. THE NORTHWEST CORNER WAS SET AT RECORD PLAT DIMENSION OF 100 FEET WEST FROM SAID SET NORTHEAST CORNER AND ON THE SOUTH RIGHT-OF-WAY LINE OF 5TH AVENUE. THIS SURVEY WAS PERFORMED USING A TRIMBLE R8 GPS SYSTEM IN RTK MODE.

RECEIVED BY

Umatilla County Surveyor
 Date: 11/26/2013
 Rec'd By: *Jay Roberts*
 No.: 13-552-B

REGISTERED
 PROFESSIONAL
 LAND SURVEYOR

Todd R. Catterson
 10/21/13 OREGON
 JAN. 15, 2002
 TODD R. CATTERSON
 59270
 RENEWS 12/31/13

