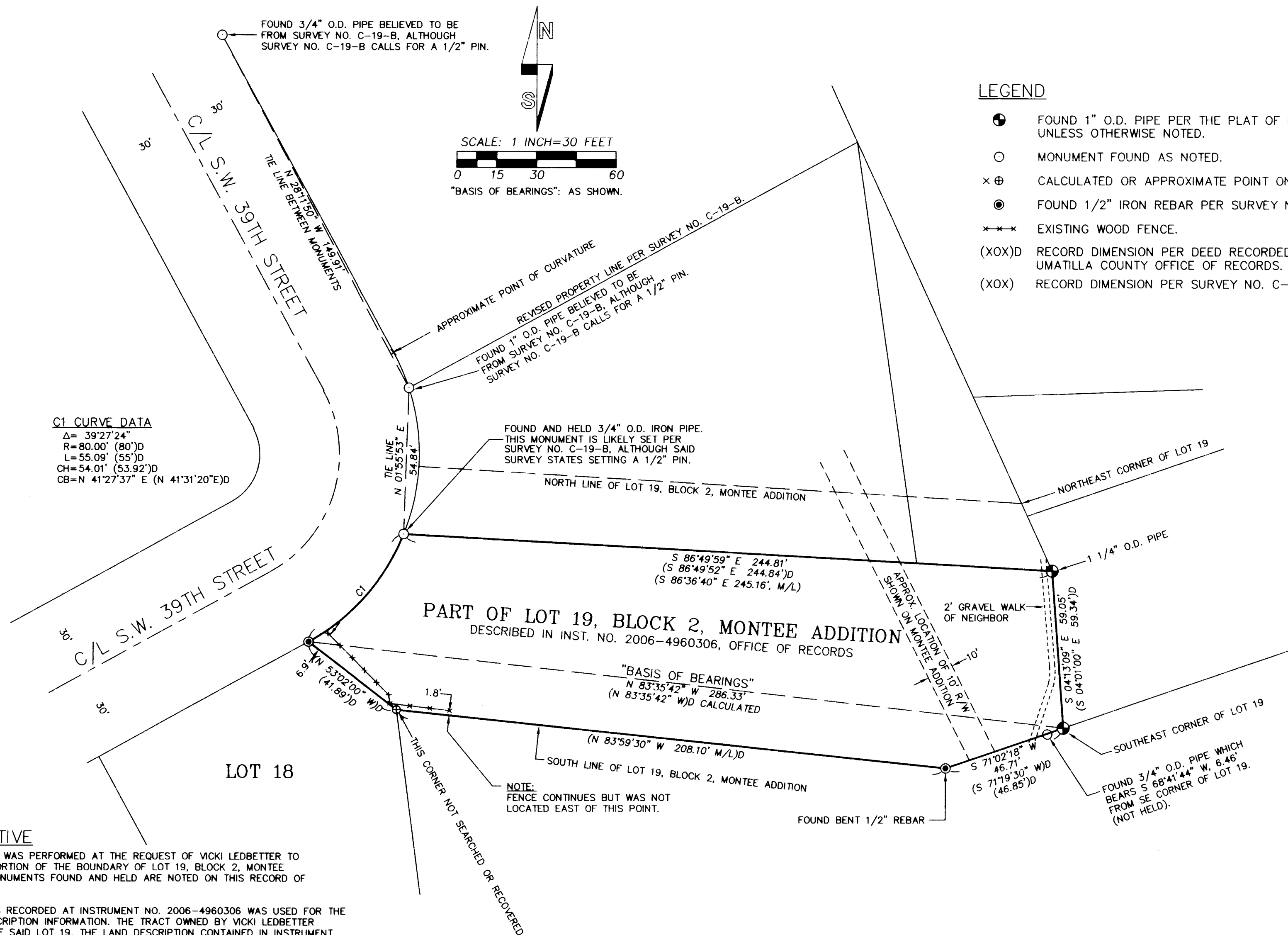
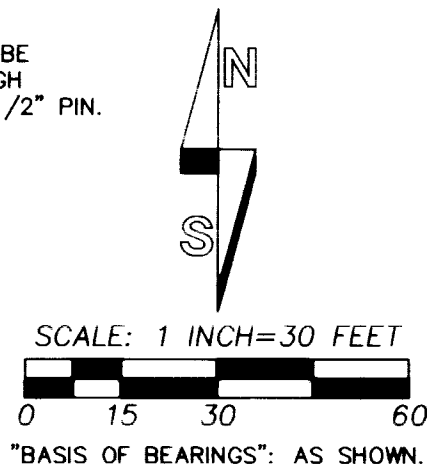


# RECORD OF SURVEY

PART OF LOT 19, BLOCK 2, MONTEE ADDITION TO THE CITY  
OF PENDLETON, UMATILLA COUNTY, OREGON.  
OCTOBER, 2008.



**C1 CURVE DATA**  
 $\Delta = 39^{\circ}27'24''$   
 $R = 80.00'$  (80'D)  
 $L = 55.09'$  (55'D)  
 $CH = 54.01'$  (53.92'D)  
 $CB = N 41^{\circ}27'37'' E$  (N 41°31'20"E)D



- LEGEND**
- ⊕ FOUND 1" O.D. PIPE PER THE PLAT OF MONTEE ADDITION UNLESS OTHERWISE NOTED.
  - MONUMENT FOUND AS NOTED.
  - ⊗ CALCULATED OR APPROXIMATE POINT ONLY.
  - FOUND 1/2" IRON REBAR PER SURVEY NO. C-19-B.
  - EXISTING WOOD FENCE.
  - (XOX)D RECORD DIMENSION PER DEED RECORDED AS INST. NO. 2006-4960306, UMATILLA COUNTY OFFICE OF RECORDS.
  - (XOX) RECORD DIMENSION PER SURVEY NO. C-19-B.

**NARRATIVE**

THIS SURVEY WAS PERFORMED AT THE REQUEST OF VICKI LEDBETTER TO LOCATE A PORTION OF THE BOUNDARY OF LOT 19, BLOCK 2, MONTEE ADDITION. MONUMENTS FOUND AND HELD ARE NOTED ON THIS RECORD OF SURVEY.

THE DEED AS RECORDED AT INSTRUMENT NO. 2006-4960306 WAS USED FOR THE RECORD DESCRIPTION INFORMATION. THE TRACT OWNED BY VICKI LEDBETTER IS A PART OF SAID LOT 19. THE LAND DESCRIPTION CONTAINED IN INSTRUMENT NO. 2006-4960306 DOES NOT MATHEMATICALLY CLOSE. THE MIS-CLOSURE IS 0.6 FOOT. ALSO, THE DEED CALL OF SOUTH 04°01'00" WEST IN THE DEED DESCRIPTION SHOULD READ SOUTH 04°01'00" EAST.

MONTEE ADDITION WAS RECORDED IN 1954. IN 1966, SURVEY NO. C-19-B WAS MADE BY LELAND ASCHER TO CREATE CERTAIN NEW PROPERTY LINES IN BLOCK 2 OF MONTEE ADDITION. ASCHER DOES NOT REPORT RECOVERING ANY OF THE ORIGINAL MONUMENTS FOR MONTEE ADDITION AND INDICATES HE SET 5/8 AND 1/2 INCH PINS AT THE REQUIRED PROPERTY CORNERS. ASCHER'S MAP MUST BE IN ERROR REGARDING MONUMENTS FOUND AND SET BECAUSE WE RECOVERED SEVERAL ORIGINAL PLAT MONUMENTS FROM THE MONTEE ADDITION PLAT. SEVERAL OTHER MONUMENTS REPORTED AS "PINS" ON THE ASCHER SURVEY WERE ACTUALLY IRON PIPES. ALL MONUMENTS FOUND ON THE PRESENT SURVEY FIT EACH OTHER REASONABLY WELL AND WERE HELD, WITH THE EXCEPTION OF THE 3/4" O.D. PIPE ON THE SOUTHERLY BOUNDARY OF LOT 19.

THE SURVEY WAS MADE WITH A ONE AND TWO PERSON CREW WITH A LEICA TPC 803 3" TOTAL STATION.

REGISTERED  
PROFESSIONAL  
LAND SURVEYOR  
  
*William R. Wells*  
  
OREGON  
JULY 22, 1977  
WILLIAM R. WELLS  
1106  
RENEWS 6/30/10

**WELLS SURVEYING**  
 2602 N.E. RIVERSIDE PLACE  
 P.O. BOX 1696  
 PENDLETON, OR 97801  
 PHONE: (541) 276-6362

**PROJECT:** VLEDBETTER  
 BOUNDARY SURVEY FOR:  
**VICKI L. LEDBETTER**

DATE: 10/08 DR. BY: JMW  
 CK. BY: WRW NO: 08-142-R

PART OF LOT 19, BLOCK 2, MONTEE ADDITION  
 TO THE CITY OF PENDLETON,  
 UMATILLA COUNTY, OREGON.

Umatilla County Surveyor  
 10-08  
 KK  
 08-142-R  
 08-142-B  
 2N32 16 CA