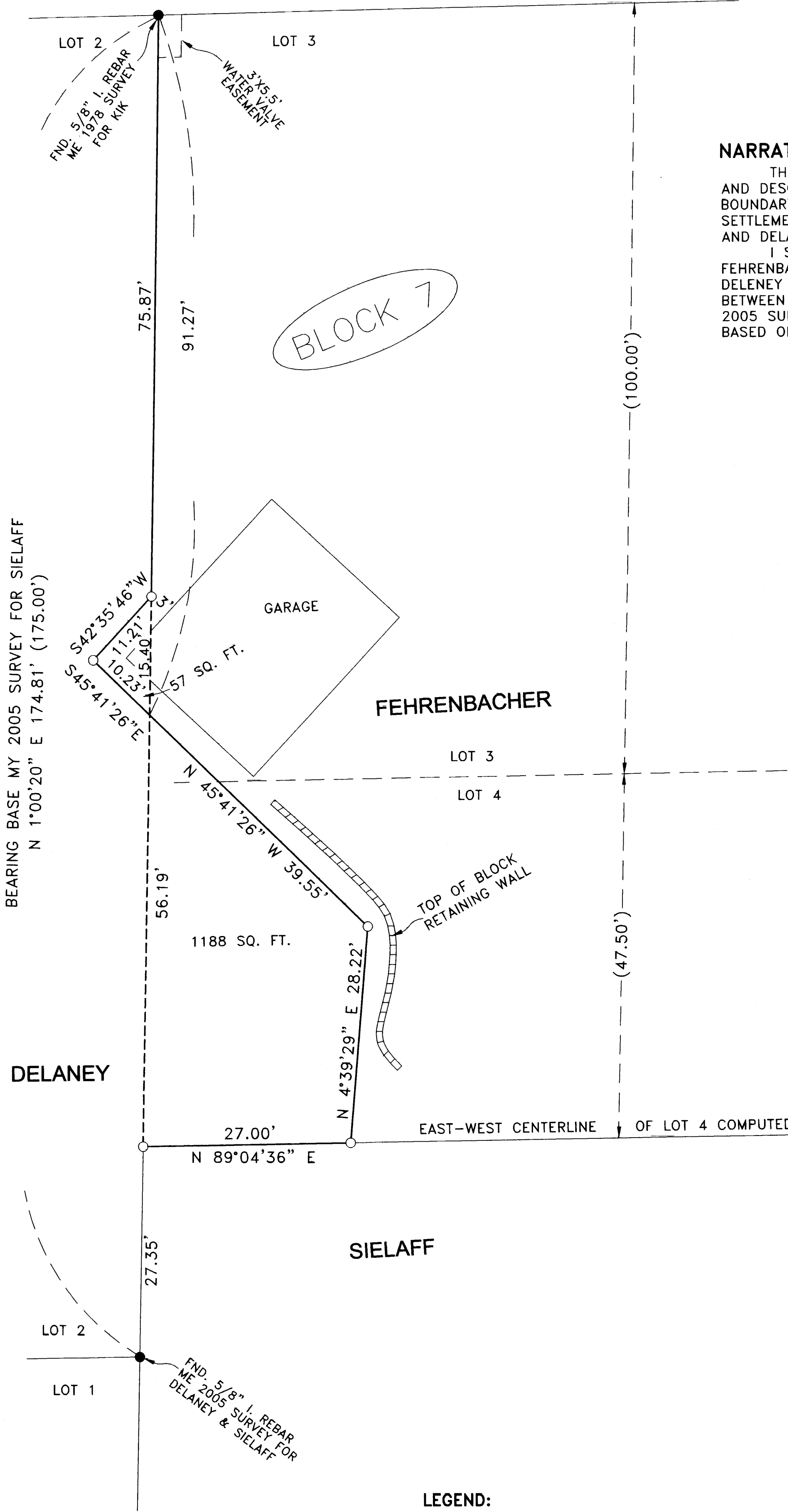


HILL TOP DRIVE



**NARRATIVE:**

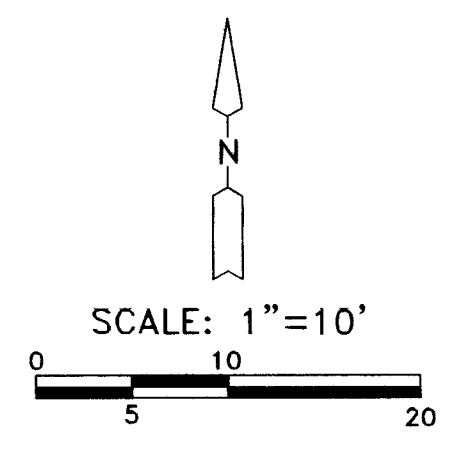
THE PURPOSE OF THIS SURVEY IS TO STAKE AND DESCRIBE TWO TRACTS OF LAND FOR A BOUNDARY LINE ADJUSTMENT AS DESCRIBED IN A SETTLEMENT AGREEMENT BETWEEN FEHRENBACHER AND DELANEY DATED OCTOBER 2006.

I SURVEYED THE LINE BETWEEN DELANEY AND FEHRENBACHER IN AN APRIL 2005 SURVEY FOR DELANEY AND SIELAFF AND I COMPUTED THE LINE BETWEEN FEHRENBACHER AND SIELAFF IN A NOV. 2005 SURVEY FOR SIELAFF. THE BEARINGS ARE BASED ON THE NOV. 2005 SURVEY FOR SIELAFF.

REGISTERED PROFESSIONAL LAND SURVEYOR

*G. Dennis Edwards*

OREGON  
 JULY 16, 1971  
 G. DENNIS EDWARDS  
 9 5 1  
 RENEWS 12/31/2007



**LEGEND:**

- MONUMENTS FND. AS NOTED
- SET 5/8" IRON REBAR-PLASTIC CAP #951
- (000) OF RECORD, 1950 PLAT OF "HAT ROCK TRACTS"
- ORIGINAL LOT LINE TO BE MOVED

SURVEY FOR FEHRENBACHER-DELANEY LOTS 2, 3, & 4, BLK. 7, "HAT ROCK TRACTS" IN NE 1/4, SEC. 15, T 5 N, R 29 E, W.M., UMATILLA COUNTY, OREGON 05/02/2007 JOB#S0504062E EDWARDS SURVEYING P.O. BOX 763 541-567-3336 HERMISTON, OR 97838 DRAWN BY JMC

07-246-8