

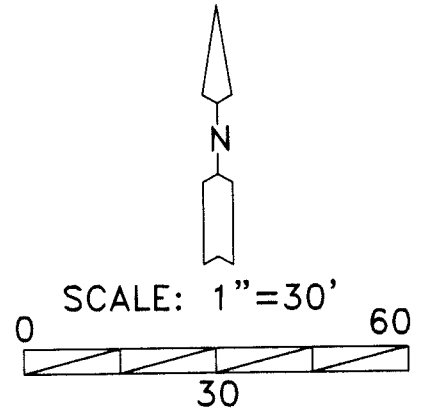
NARRATIVE:

THE PURPOSE OF THIS SURVEY IS TO ADJUST THE LINE BETWEEN PARCELS ONE AND TWO OF PARTITION PLAT 1995-19 TO MAKE PARCEL ONE SMALLER AND PARCEL TWO LARGER FOR A PENDING SALE OF PARCEL TWO. I FOUND ALL FOUR CORNERS OF PARCEL ONE WHICH WAS SURVEYED BY BILL WELLS IN 1995. THE NORTHEAST CORNER OF SAID PARCEL WAS SET BY ROGERS IN 1990 AND WELLS USED IT TO ESTABLISH THE RIGHT OF WAY LINE FOR U.S. HIGHWAY #395. THE OREGON STATE HIGHWAY MONUMENTS WERE SET IN ABOUT 1982 ACCORDING TO GEORGE RUBY OF THE OREGON STATE HIGHWAY DIVISION DISTRICT OFFICE IN PENDLETON, OREGON. I USED THE STATES' MONUMENTS TO ESTABLISH THE RIGHT OF WAY FOR THIS SURVEY.

REGISTERED
 PROFESSIONAL
 LAND SURVEYOR

G. Dennis Edwards

OREGON
 JULY 16, 1971
 G. DENNIS EDWARDS
 9 5 1
 RENEWS 12/31/2001



- LEGEND:**
- ▲ FOUND 5/8" IRON REBAR, ROGERS 1990 SURVEY 90-48-13
 - FOUND 5/8" IRON REBAR, WELLS PARTITION PLAT 1995-19
 - SET 5/8"X30" IRON REBAR WITH PLASTIC CAP #951
 - ⊙ FOUND 5/8" IRON ROD WITH 2" ALUM. CAP O.S.H.D.
- (000) OF RECORD PARTITION PLAT 1995-19

SURVEY FOR NORM SCHROTH
 IN PARCELS 1 & 2, PARTITION PLAT 1995-19,
 IN NE 1/4, SE 1/4, SEC. 3, T 4 N, R 28 E, W.M.,
 UMATILLA COUNTY, OREGON
 10/8/2000 JOB# S0010197
 EDWARDS SURVEYING P.O. BOX 763
 541-567-3336 HERMISTON, OREGON 97838
 DRAWN BY NJF

RECEIVED BY
 Umatilla County Surveyor
 Date 11-00
 Rec'd By KE
 No. 00-245-A

00-245-A