

**NARRATIVE:**

THE PURPOSE OF THIS SURVEY IS TO STAKE THE EAST LINE OF LOT 4, BLOCK 40, "WARDWELL'S ADDITION" TO THE CITY OF UMATILLA SO A SIDEWALK CAN BE CONSTRUCTED  
 I BASED THE BEARINGS AND THIS SURVEY ON PREVIOUS SURVEYS BY ME IN 1975 FOR LATTUE, IN 1986 FOR CHICAGO TITLE, AND IN 2000 FOR McDANIELS.

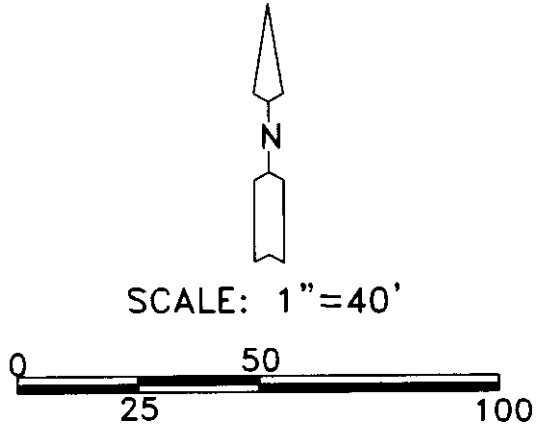
REGISTERED  
 PROFESSIONAL  
 LAND SURVEYOR

*G. Dennis Edwards*

OREGON  
 JULY 16, 1971  
 G. DENNIS EDWARDS  
 9 5 1  
 RENEWS 12/31/2003

**LEGEND:**

- MONUMENTS FOUND AS NOTED
- SET 5/8"X30" IRON REBAR WITH PLASTIC CAP #951



SURVEY FOR CITY OF UMATILLA  
 IN NE 1/4, SEC. 18, T 5 N, R 28 E, W.M.  
 UMATILLA COUNTY, OREGON, & IN BLK. 40,  
 "WARDWELL'S ADDITION" TO CITY OF UMATILLA  
 8/27/2003 JOB# S0308221  
 EDWARDS SURVEYING P.O. BOX 763  
 541-567-3336 HERMISTON, OREGON 97838  
 DRAWN BY NJF

RECEIVED BY  
 Umatilla County Surveyor  
 Date 11-03  
 Rec'd By KK  
 No. 03-325-A

03-325-A